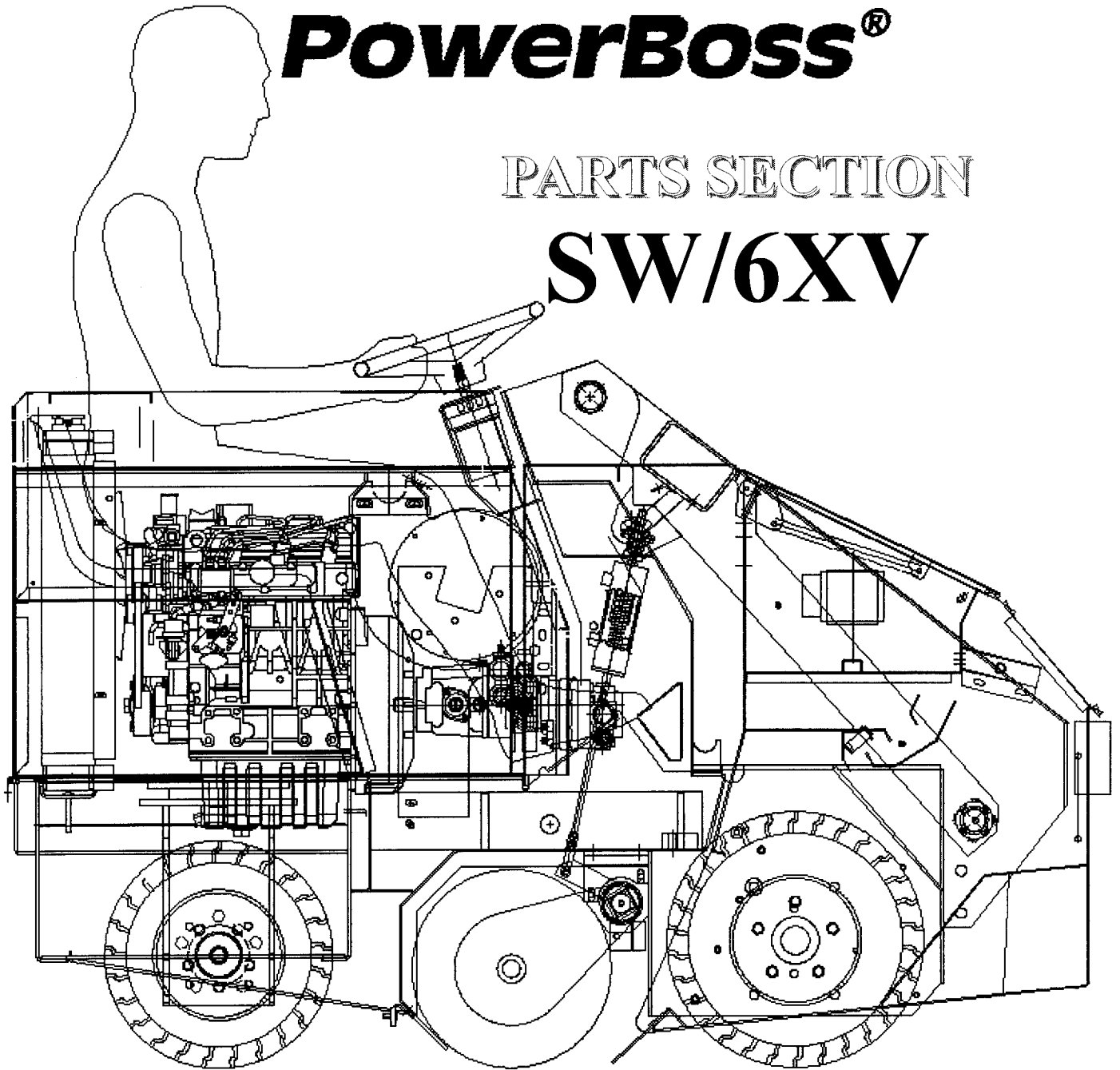


Minuteman[®]

PowerBoss[®]

PARTS SECTION

SW/6XV



Minuteman PowerBoss, Inc.

175 Anderson Street

Aberdeen, North Carolina 28315 USA

(910) 944-2167 / FAX (910) 944-7409

Minuteman[®]

PowerBoss[®]

PARTS SECTION

SW/6XV

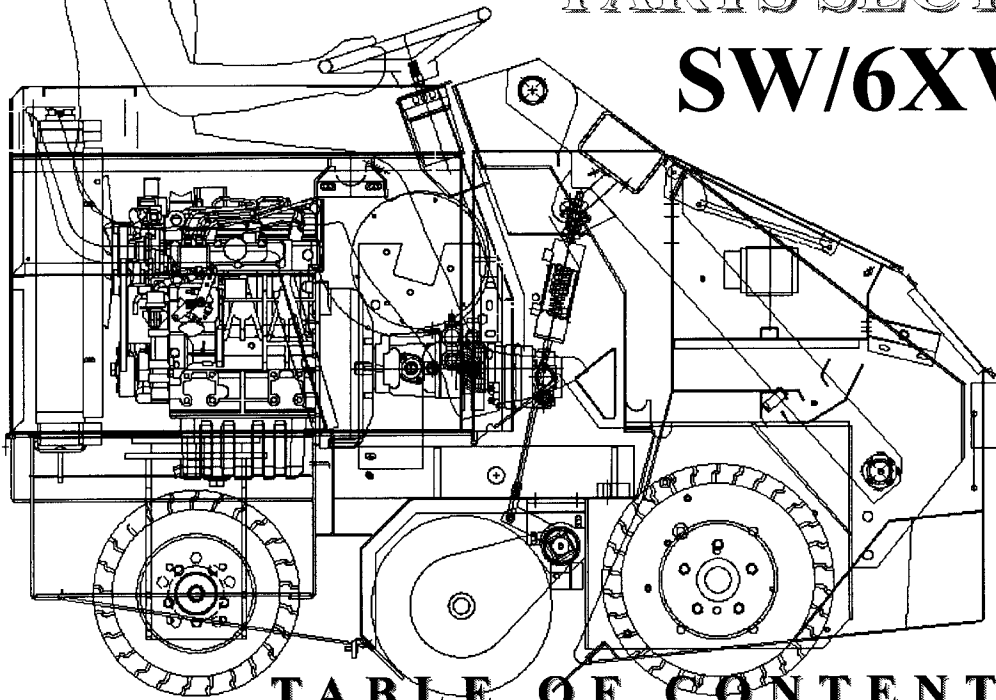


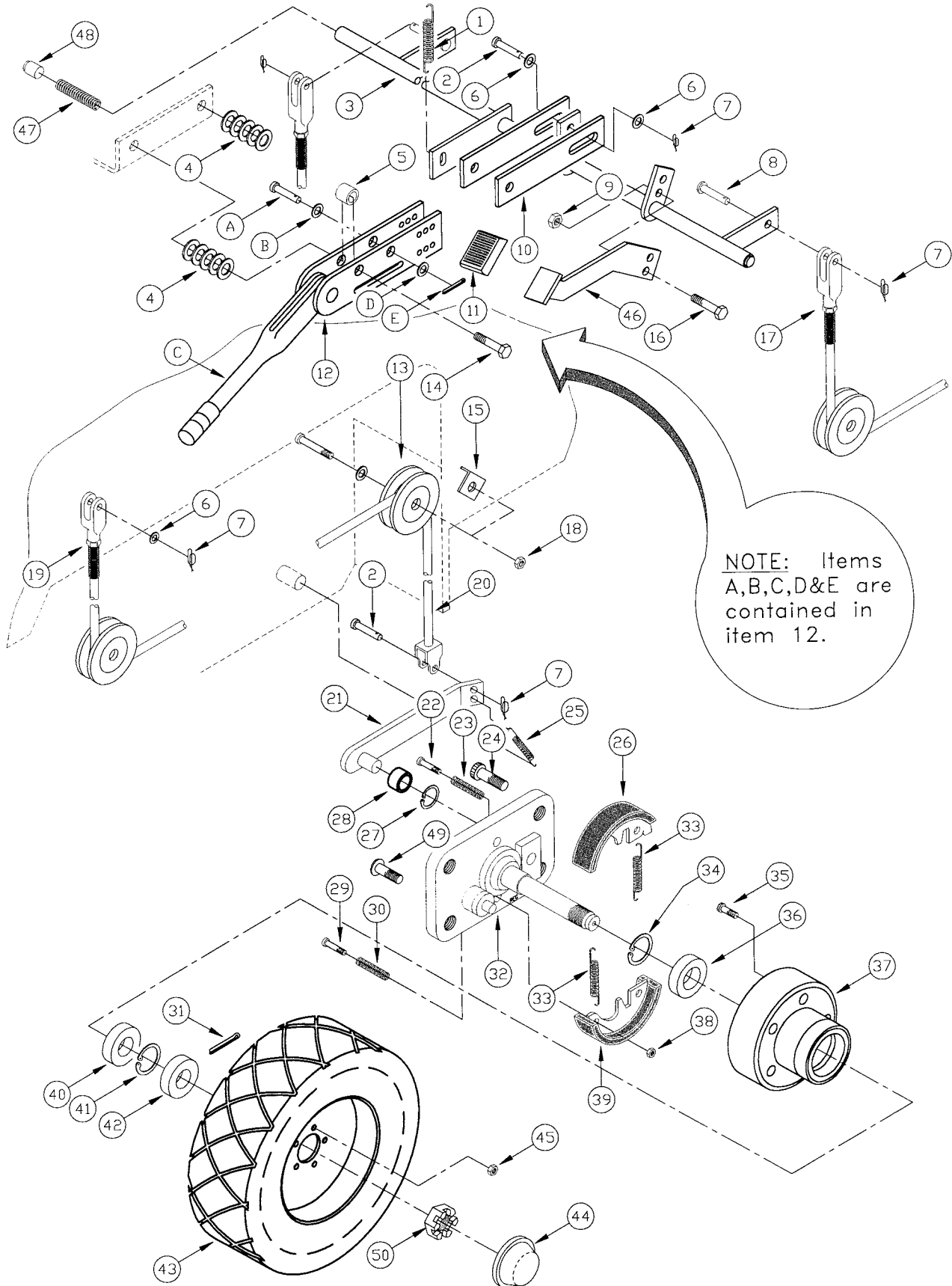
TABLE OF CONTENTS

Axles, Brakes and Wheels Group	4
Battery Group	8
Body (Sheet Metal) Group	
Doors (Side Broom)	10
Engine Cover	12
Directional Control Group	14
Engine (Gasoline) Group	
Engine, Air Intake, Hyd. Pump, Dir. Control	16
Engine Mounting System	20
Radiator & Radiator Shield, Exhaust System	22
Frame Group	24
Front Bumper Group	26
Fuel Tank Group	28
Hopper Group	
Hopper	30
Hopper Lid	32
Hydraulic Group	
Control Valve	34
Hydraulic Manifold	36
Hydraulic Reservoir	38

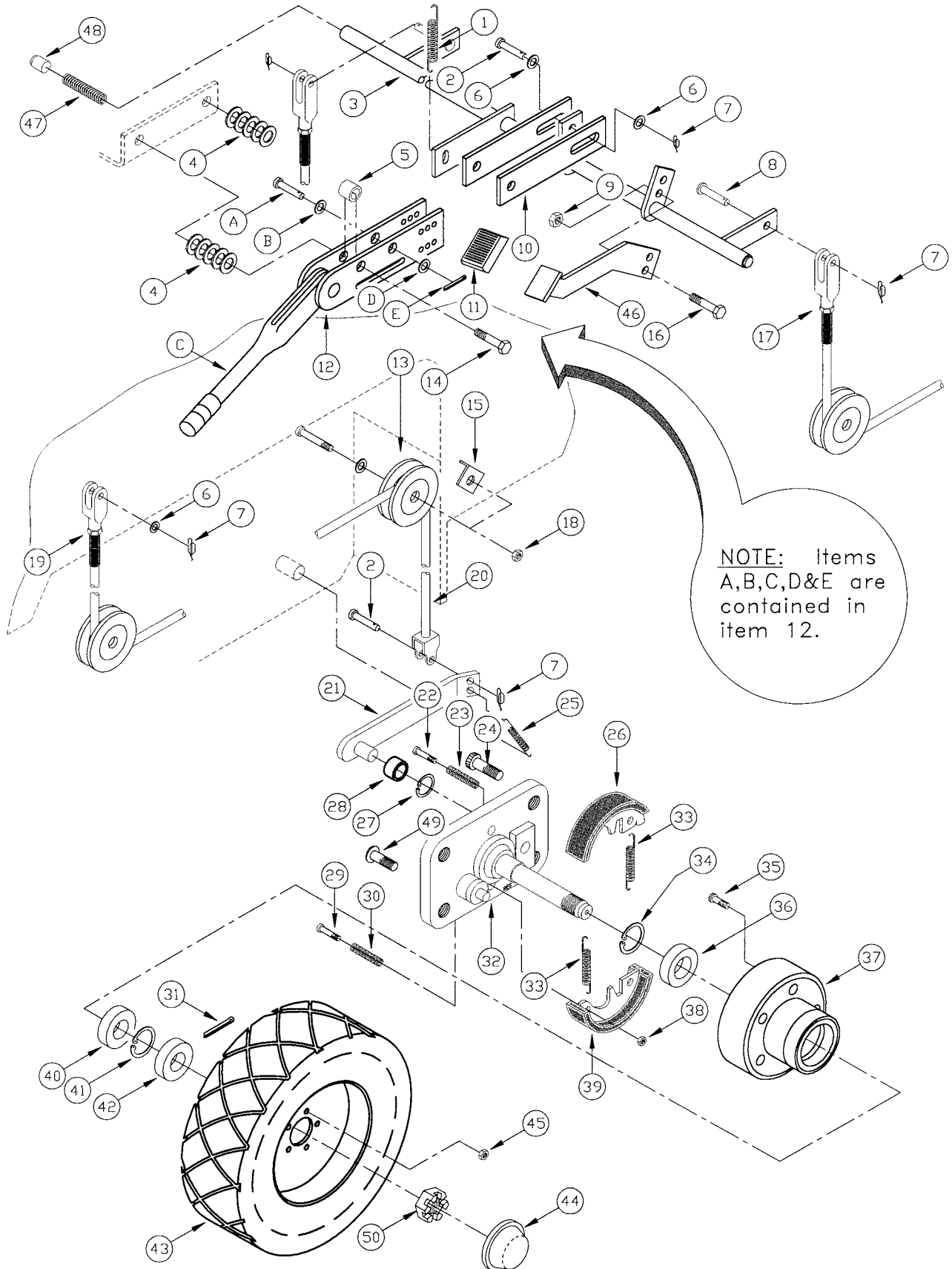
TABLE OF CONTENTS (Continued)

Impeller Group	
Impeller.....	40
Gasket Mount	42
Lift Arm Group.....	44
Main Broom Group.....	52
Miscellaneous Group	
Decals	56
Side Broom Group	
Side Broom	58
Actuator	60
Steering Group	
Steering.....	62
Tilt Steering.....	64
Hydraulic Schematic.....	66
Electrical Schematic.....	70

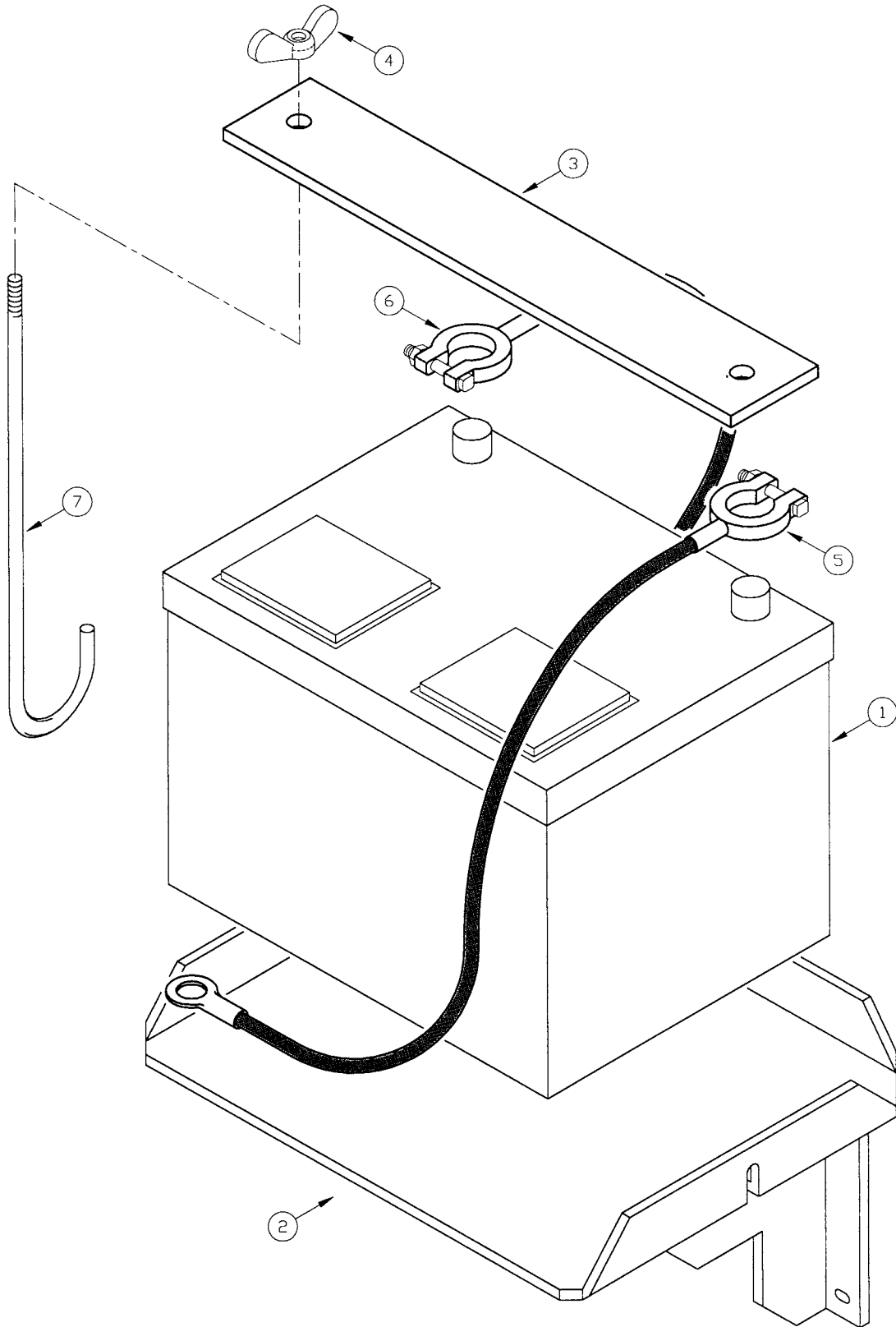
Page Intentionally Blank



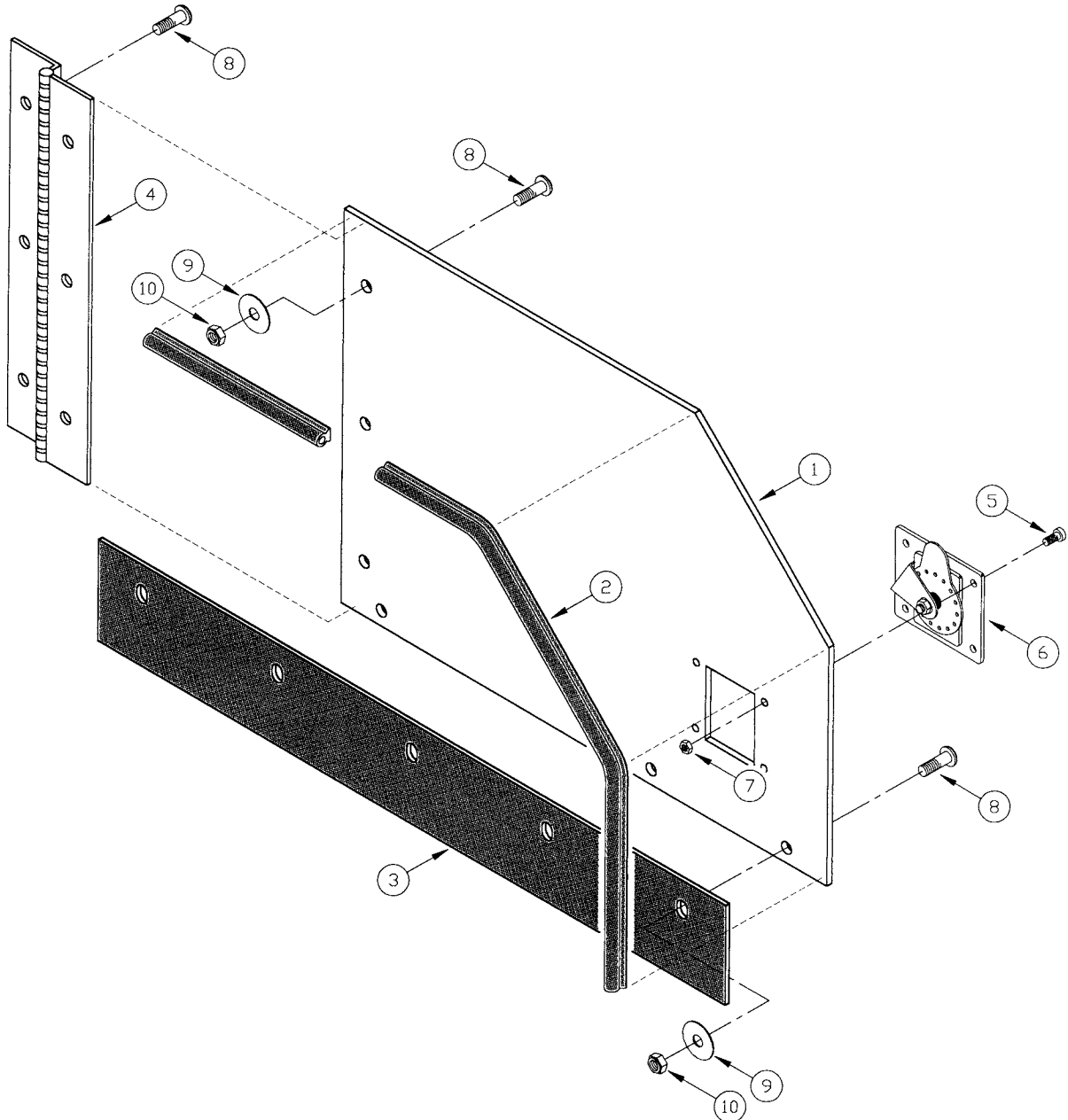
REF #	PART #	DESCRIPTION	QTY
1	3301521	SPRING - BRAKE ARM	1
2	3400118	PIN - CLEVIS 5/16 x .88	3
3	3318562	WELD - BRAKE BAR	1
4	3400087	WASHER - FLAT 3/8 STANDARD ZP	10
5	3318422	SHIM - HAND BRAKE	2
6	3400088	WASHER - FLAT 5/16	3
7	3400125	RING - RUE 3/8	5
8	3400185	PIN - CLEVIS 5/16 x 1.25	2
9	3400080	NUT - HEX 5/16-18 ES ZP	2
10	3301102	BAR - PARKING BRAKE	2
11	3300413	PAD - RUBBER BRAKE PEDAL	1
12	3303169	HAND BRAKE - PURCHASED	1
13	3304760	PULLEY - CABLE HYDRAULIC BRAKE	4
14	3400311	SCR - HEX 5/16-18 x 1.75	2
15	3306460	RETAINER - CABLE HYDRAULIC BRAKES	4
16	3400035	SCR - HEX 5/16-18 x 1.00 ZP	2
17	3400069	NUT - HEX 5/16-24 ZP	2
18	3400068	NUT - HEX 3/8-16	4
19	3307642	CLEVIS 5/16 PLTD SW/A	2
20	3313211	CABLE - BRAKE	2
21	3300870	ASSEMBLY - BRAKE LEVER PLATED	1
22	3400060	SCR - THM #8-32 x 3.00	2
23	3301518	SPRING - COMP BRAKE SHOE	2
24	3400006	SCR - SOC 5/8-11 x 1.00 BUTTON	6
25	3301517	SPRING - EXT BRAKE LEVER	2
26	3300523	SHOE - BRAKE W/LINING	2
27	3300484	RING - RET EXT .87	2
28	3300410	BUSHING 1.00OD x .87ID	2
29	3400060	SCR - THM #8-32 x 3.00 SS	2
30	3301518	SPRING - COMP BRAKE SHOE	2
31	3400120	PIN - COTTER 5/16 x 2.00	2
32	3300852	ASSEMBLY - FRONT AXLE	2
33	3301519	SPRING - EXT BRAKE SHOE	2
34	3300473	RING - RETAINER INT 2.44	2
35	3307348	STUD - WHEEL REAR	10



030PAX002

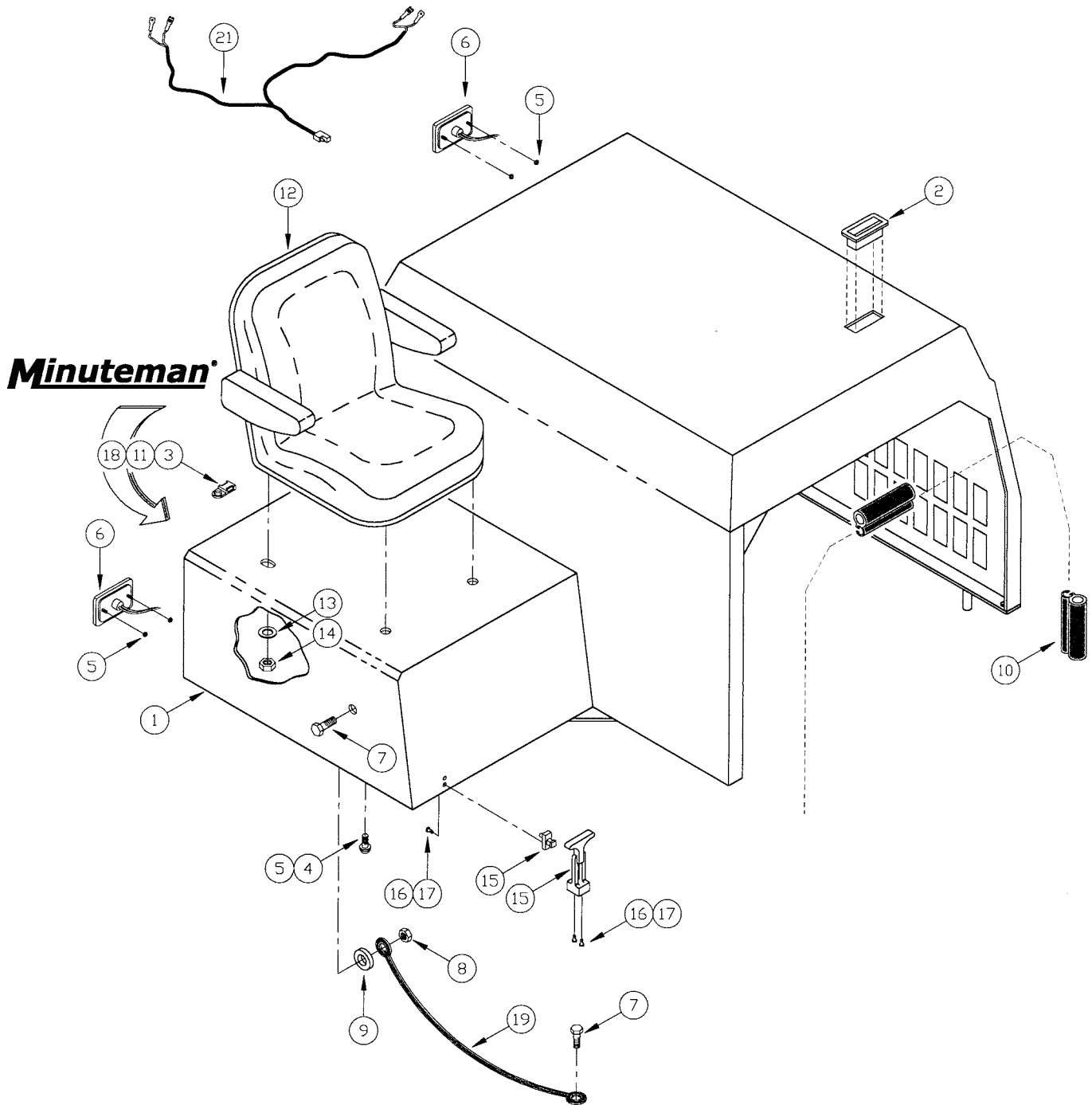


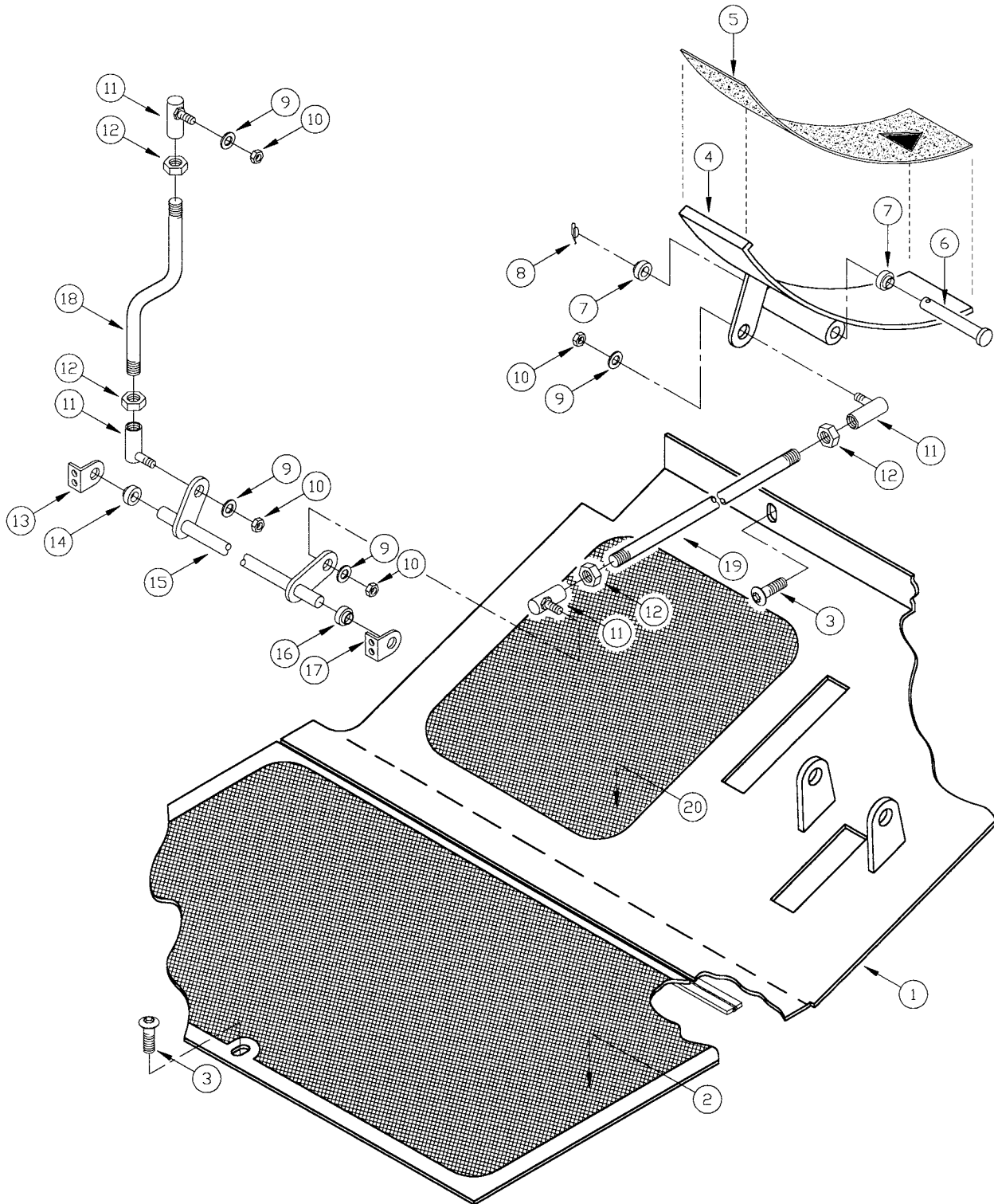
REF #	PART #	DESCRIPTION	QTY
1	3300440	BATTERY—GAS ENGINE	1
2	3338120	ASSEMBLY—BATTERY MNT PNTD	1
3	3301076	HOLD DOWN—BATTERY 2-PIECE	1
4	3400085	NUT—WING 1/4-20 ZP	2
5	3307634	ASSEMBLY—BATTERY CABLE ARMA NEG	1
6	3307633	ASSEMBLY—BATTERY CABLE ARMA POS	1
7	3301079	ROD—BATTERY TIE-DOWN PLTD	2
<i>END OF THIS SECTION</i>			



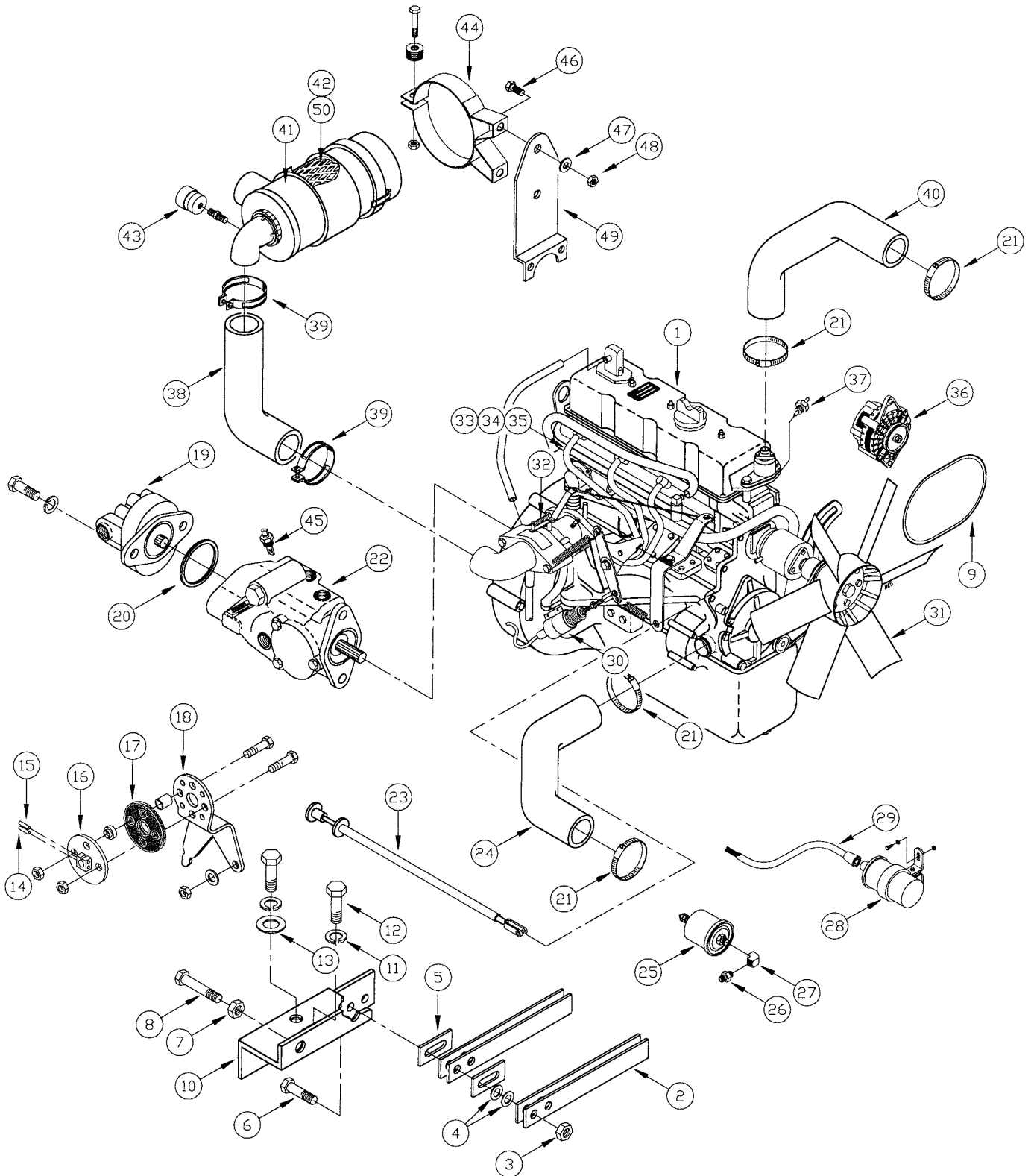
012PAX001

REF #	PART #	DESCRIPTION	QTY
1	3318567	DOOR—MAIN BROOM	1
2	3318739	WEATHERSTRIPPING—RUBBER SPONGE	2.3 FT.
3	3318582	FLAP—BROOM DOOR	1
4	3318694	HINGE—.125 x 3.0 x 11.12 LONG	1
5	3400048	SCR—SOC #10-32 x 0.75 ZP	4
6	3318595	LATCH—"T" HANDLE	1
7	3400172	NUT—HEX JAM #10-32 ES ZP	4
8	3400790	SCREW—HBSCS .375-16 x 1	8
9	3400092	WASHER—FENDER 3/8 ZP	8
10	3400392	NUT—FLANGE LOCK 3/8-16	8
		END OF THIS SECTION	

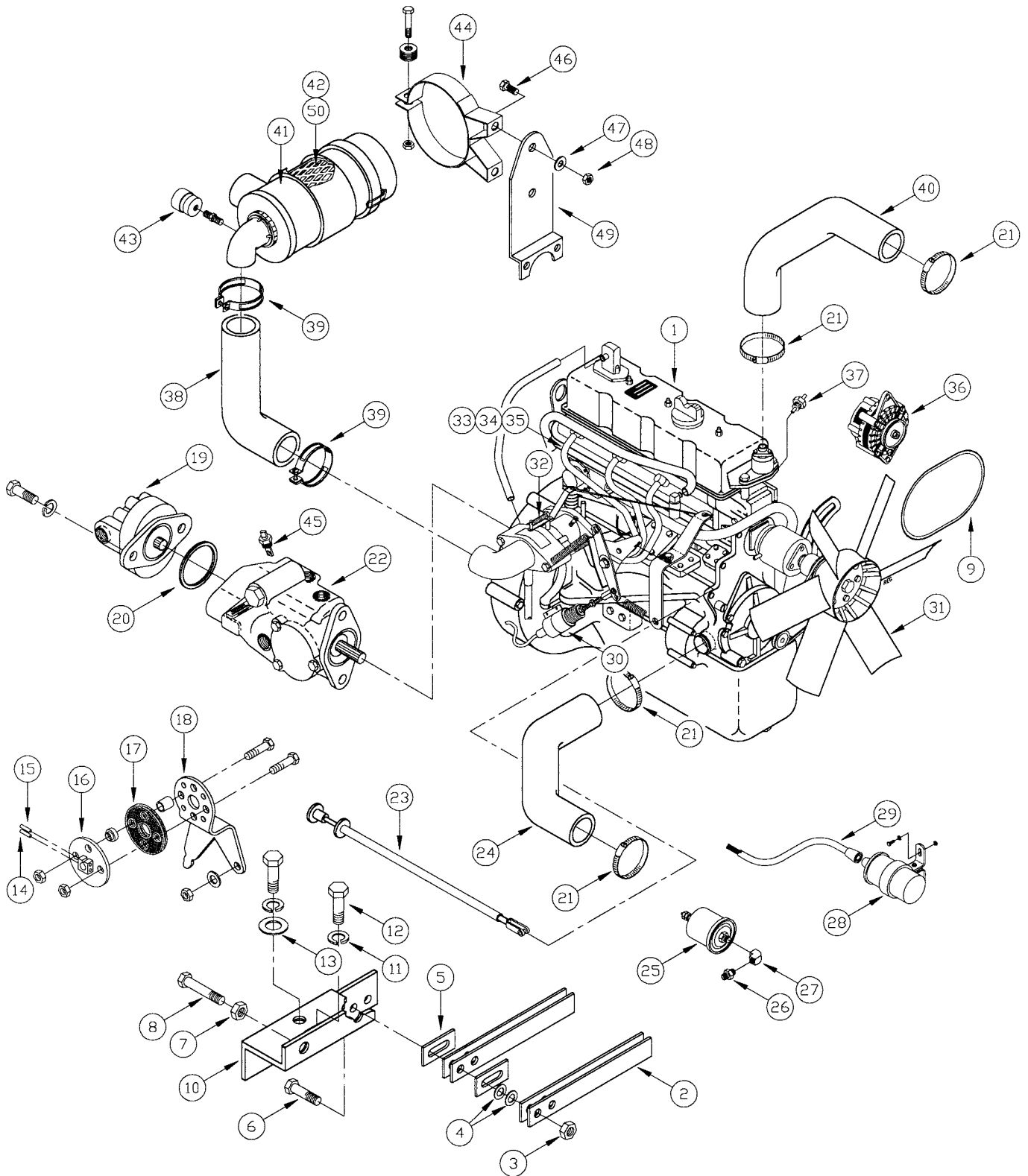




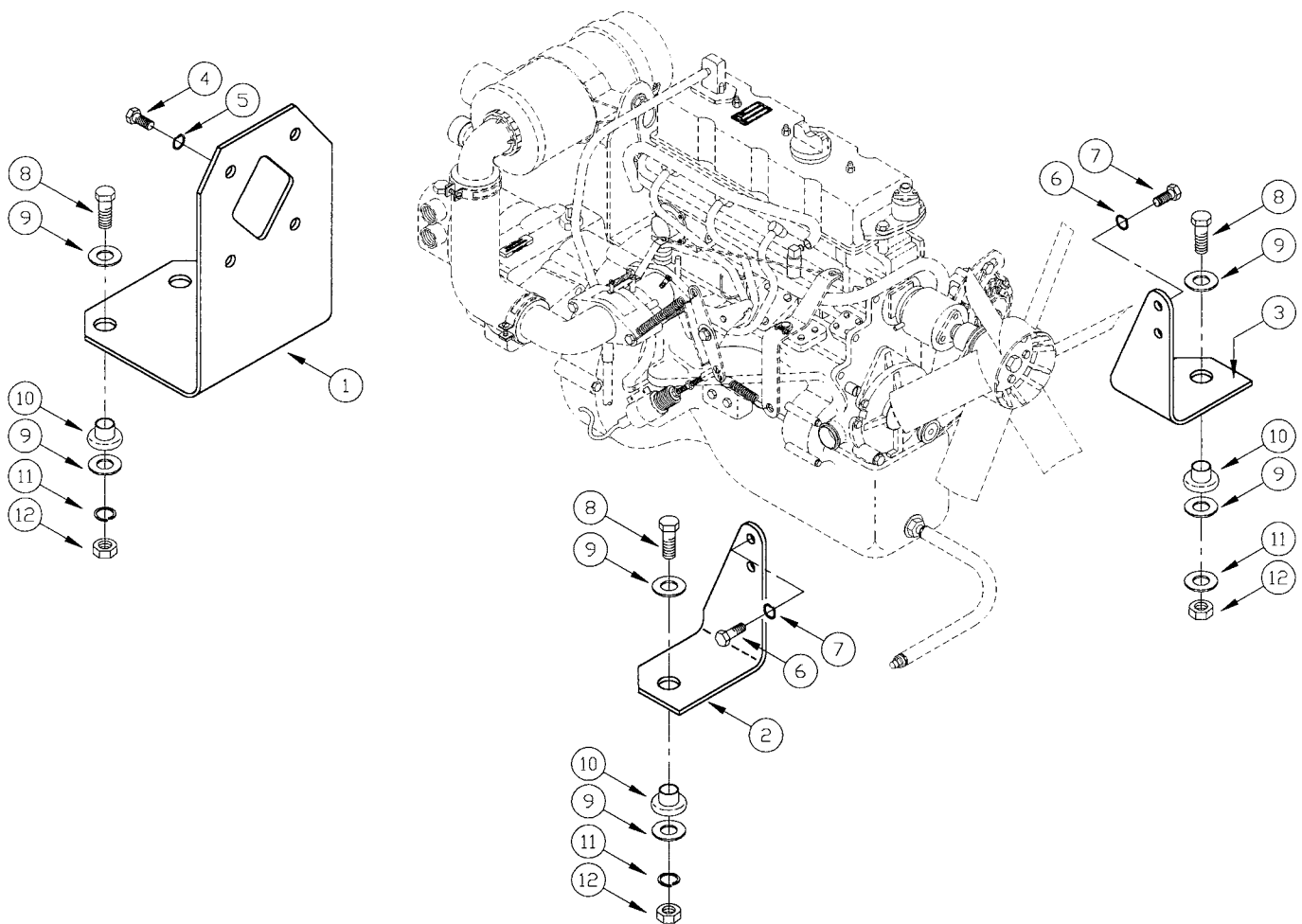
REF #	PART #	DESCRIPTION	QTY
1	3338197	WELD—FLOOR PAN	1
2	3307588	FLOOR MAT—LARGE	1
3	3400790	SCREW—BHSCS .375-16 x 1	2
4	3300737	WELD—PEDAL FWD / REV PNTD	1
5	3300544	PAD—FOOT PEDAL	1
6	3400114	PIN—CLEVIS 3/8 x 4.00 ZP	1
7	3300414	BUSHING—PLASTIC MN BRM	2
8	3400125	PIN—COTER 3/8 RUE-RING	1
9	3400101	WASHER—LOCK 3/8 SPLIT ZP	4
10	3400067	NUT—HEX 3/8-24 ZP	4
11	3300461	BALL JOINT 3/8-24 W/DUST COVER	4
12	3400067	NUT—HEX 3/8-24 ZP	4
13	3307223	MNT—BUSHING DIR CONT	1
14	3307220	BEARING—DIR CONTROL	1
15	3338013	WELD—DIR TORQUE TUBE	1
16	3307220	BEARING—DIR CONTROL	1
17	3307223	MNT—BUSHING DIR CONT	1
18	3338188	ROD—DIR CONTROL ENGINE	1
19	3338011	ROD—DIR CONTROL PEDAL	1
20	3309734	FLOOR MAT—SMALL	1
		END OF THIS SECTION	

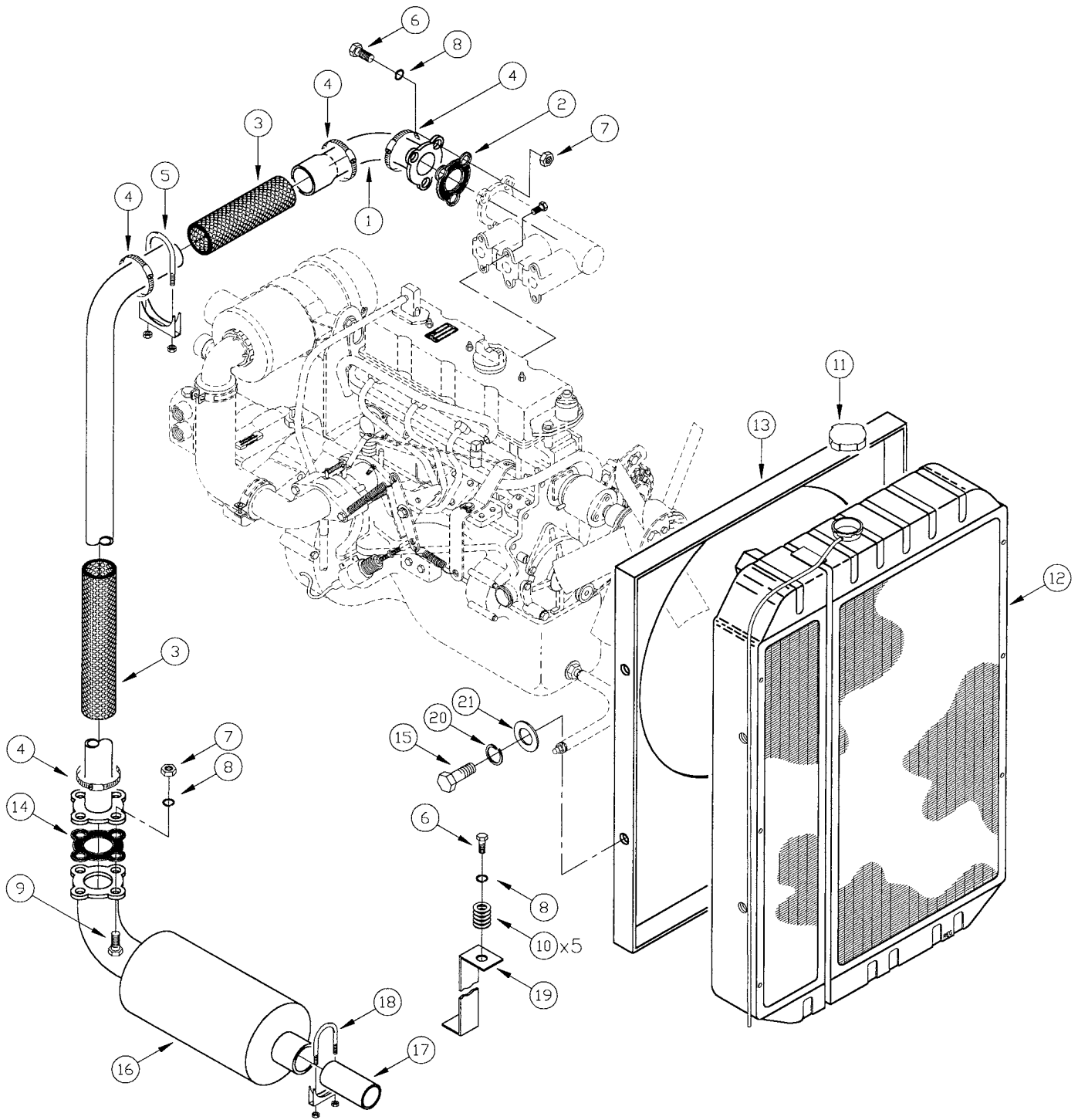


REF #	PART #	DESCRIPTION	QTY
1	3338097	POWERTRAIN—KUBOTA GAS	1
2	3300543	SPRING—RETURN	4
3	3400081	NUT—HEX 1/4-20 ES ZP	2
4	3400089	WASHER—FLAT 1/4 STANDARD ZP	4
5	3303918	SPACER—FWD / REV BRKT PLTD	2
6	3400149	SCR—HEX 1/4-20 x 1.50 ZP	2
7	3400069	NUT—HEX 5/16-24 ZP	2
8	3400228	SCR—HEX 5/16-24 x 1.5 ZP FULL TH	2
9	3316296	BELT-FAN 750 KBA GAS ENG (SP)	1
10	3338015	PLATE—DIR CONTROL ADJ	1
11	3400102	WASHER—LOCK 5/16 SPLIT ZP	2
12	3400036	SCR—HEX 5/15-18 x 0.75 ZP	2
13	3400088	WASHER—FLAT 5/16 STANDARD ZP	1
14	3400173	SCR—HEX 1/4-20 x 1.75 ZP	1
15	3400027	SCR—HEX 3/8-16 x 1.75 ZP	1
16	3301544	WELD—DISC FWD/REV PLTD	1
17	3301507	COUPLING—DIR CONTROL	1
18	3338014	PLATE—DIRECTIONAL CONTROL	1
19	3338093	GEAR PUMP—SW/6XV	1
20	3303711	O-RING STATIC SEAL 3.239 ID	1
21	3302193	CLAMP—HOSE 1.25 NOM	1
22	3338090	PUMP—MAIN HYD DRIVE SW6XV	1
23	3313077	CABLE—CHOKE SW/62 GAS	1
24	3331363	WG750 LOWER RAD HOSE GRIFFIN	1
25	3300387	SENDER—OIL PRESSURE	1
26	3305640	FTG—NIPPLE 1/8 RPT-1/8 NPT BRASS	1
27	3301720	FTG—90 EL 1/8 FPT	1
28	3318746	COIL IGNITION	1
29	3318742	COIL WIRE	1
30	3330507	WG750—SOLENOID THROTTLE LP4/98	1
31	3322163	FAN BLADE—D722/D750	1
32	3318754	CARBURETOR	1
33	3318749	WIRE #1 SPARK PLUG	1
34	3318750	WIRE # 2 SPARK PLUG	1
35	3318751	WIRE #3 SPARK PLUG	1

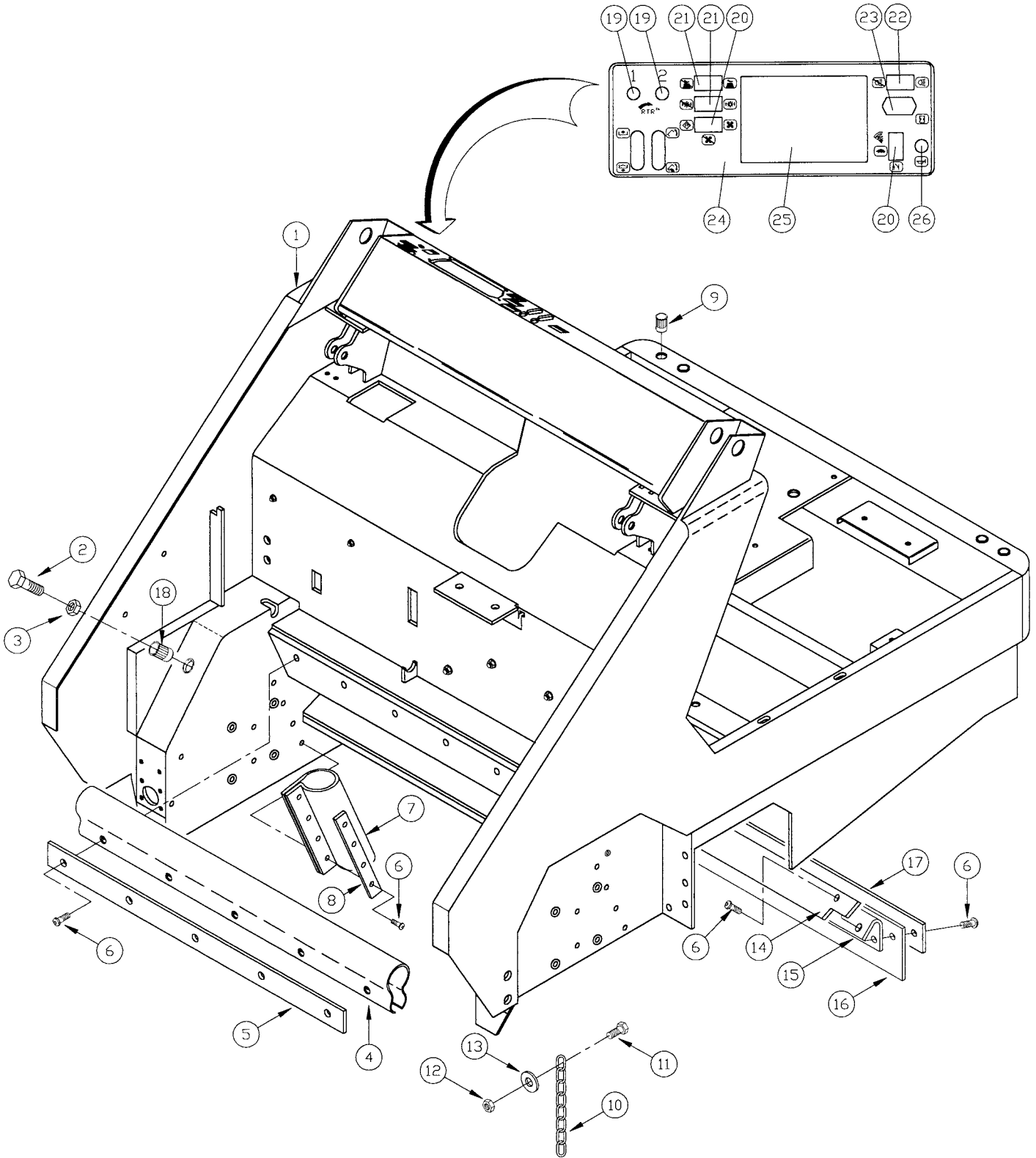


REF #	PART #	DESCRIPTION	QTY
36	3318755	WG750—KUBOTA ALTERNATOR	1
37	3301441	SENDER—TEMP	1
38	3331364	HOSE—90 DEG AIR INTAKE	1
39	3044112	CLAMP—HOSE 2.50 MAX WORM	1
40	3331362	WG750 UPPER RAD HOSE GRIFFIN	1
41	3331005	WG750—AIR CLNR ASSY	1
42	3330677	WG750—ELEMENT (NEW) PRIMARY	1
43	3303991	INDICATOR—AIR CLEANER KIT	1
44	3331360	BAND-AIR CLEANER MNT SMALL	1
45	3331367	VALVE TOW OPTION	1
46	3400036	SCR—HEX,5/16-18X0.75 ZP	2
47	3400102	WASHER—LOCK 5/16 SPLIT ZP	2
48	3400070	NUT—HEX 5/16-18 ZP	2
49	3331365	BRKT AIR CLEANER MOUNT	1
50	3330678	WG750—ELEMENT (NEW) SAFETY	1
<i>END OF THIS SECTION</i>			



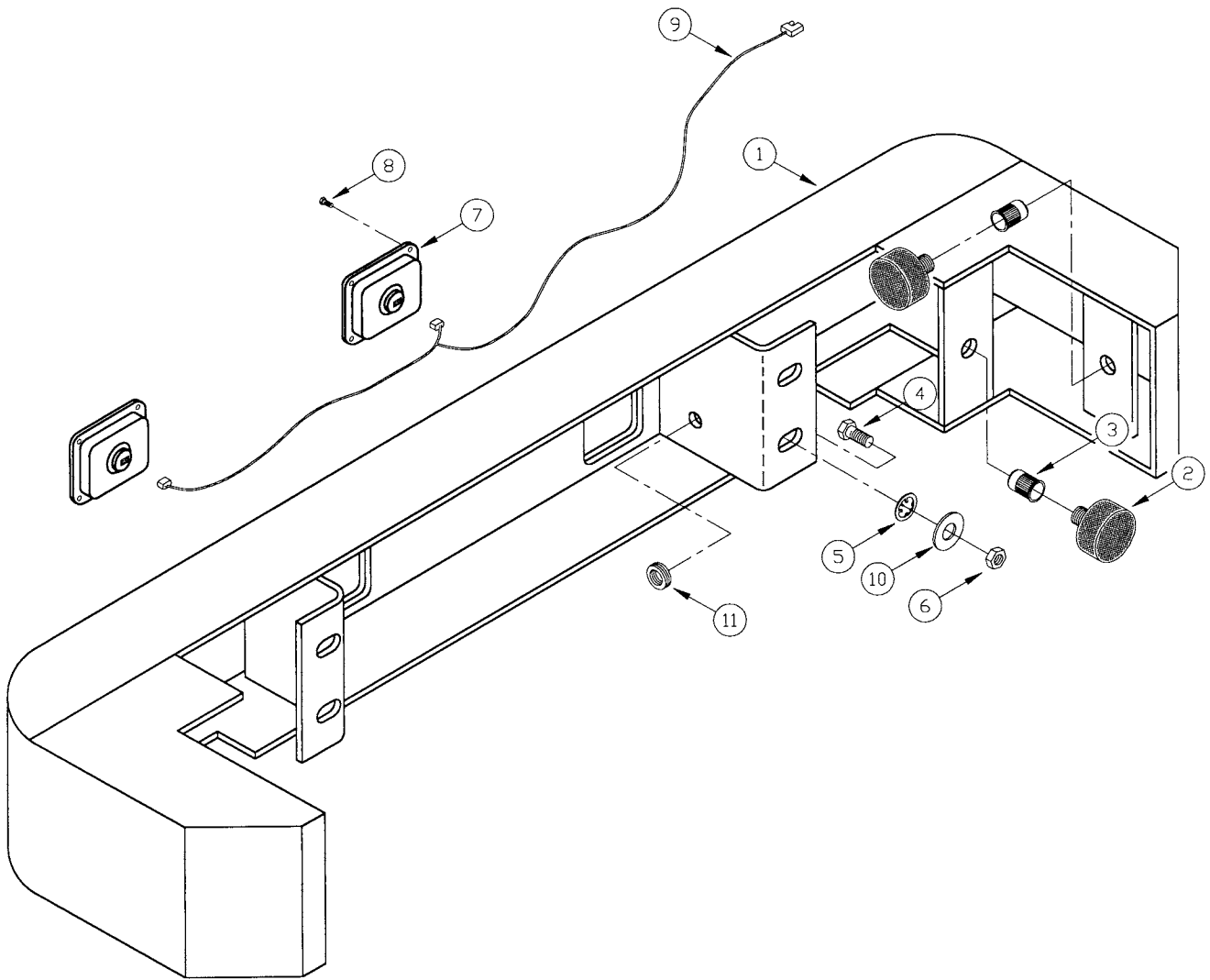


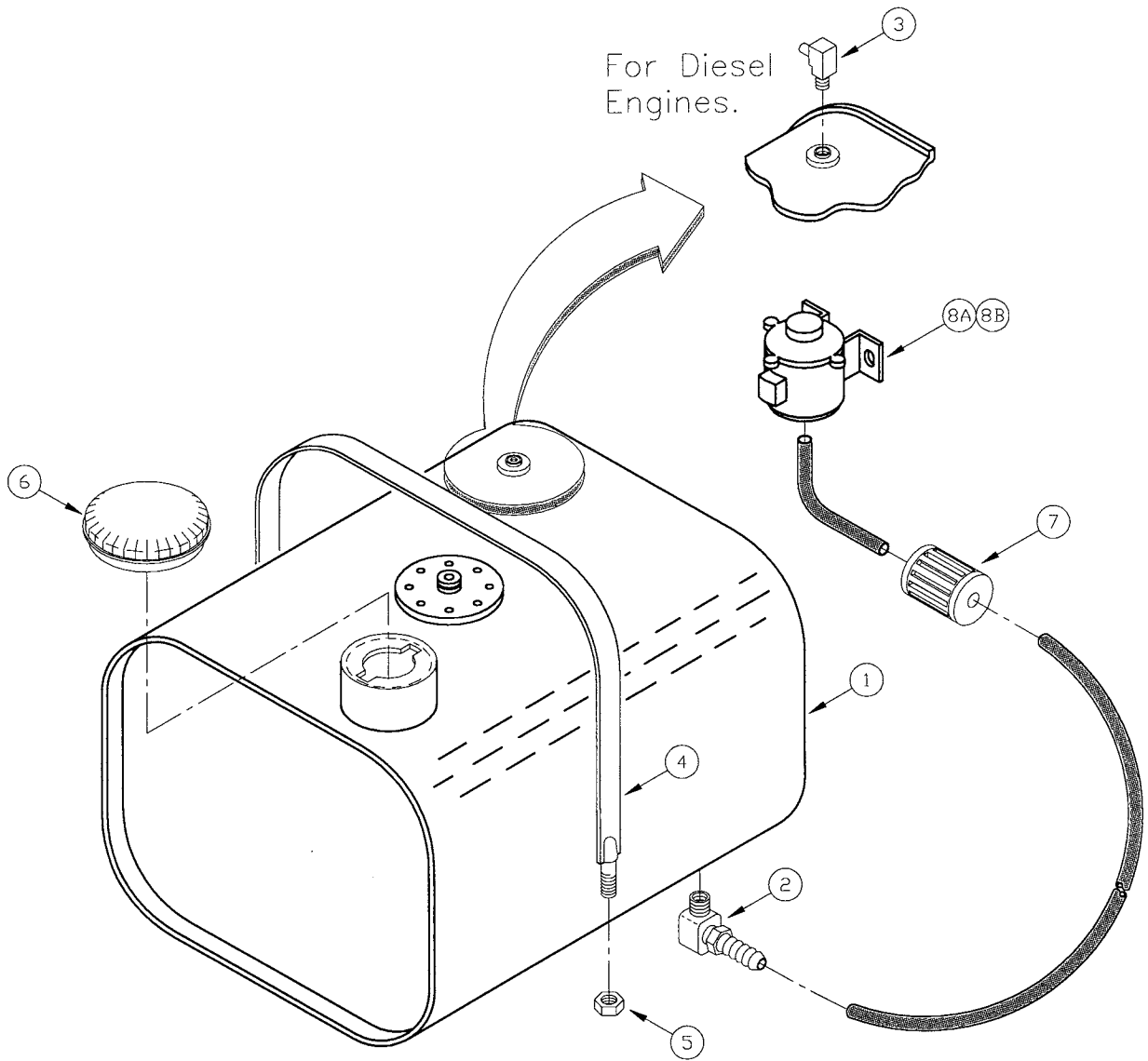
REF #	PART #	DESCRIPTION	QTY
1	3338127	WELD—EXH PIPE MANIF 6X GAS	1
2	3310021	GASKET—EXH SW71 KBA GAS (SP)	1
3	3312281	EXHAUST—WRAP MANIFOLD TUBE	2
4	3302193	CLAMP—HOSE 1.25 NOM	4
5	3301640	CLAMP—EXHAUST 1 3/4	1
6	3400034	SCR—HEX,5/16-18X1.25 ZP	4
7	3400070	NUT—HEX 5/16-18 ZP	7
8	3400101	WASHER—LOCK 3/8 SPLIT ZP	8
9	3400035	SCR—HEX,5/16-18X1.00 ZP	4
10	3400233	WASHER—FENDER 5/16 1.00 OD	5
11	3336527	9XN—RAD CAP	1
12	3336103	9XN—RADIATOR/OIL COOLER	1
13	3336522	9XN—RADIATOR SHROUD	1
14	PBK15371-12370	GASKET—MUFFLER	1
15	3400433	SCR—HEX,1/4-20X2.50 ZP	4
16	3316505	MUFFLER—KBA WG750 (SP)	1
17	3315317	PIPE—EXTENSION SW/62 GAS/DSL	1
18	3316508	CLAMP—MUFLR/TAILPIPE KBA 62-SP	1
19	3318406	BRKT—EXHAUST MOUNT SW/72	1
20	3400103	WASHER—LOCK 1/4 SPLIT ZP	4
21	3400089	WASHER—FLAT 1/4 STANDARD ZP	4
		END OF THIS SECTION	



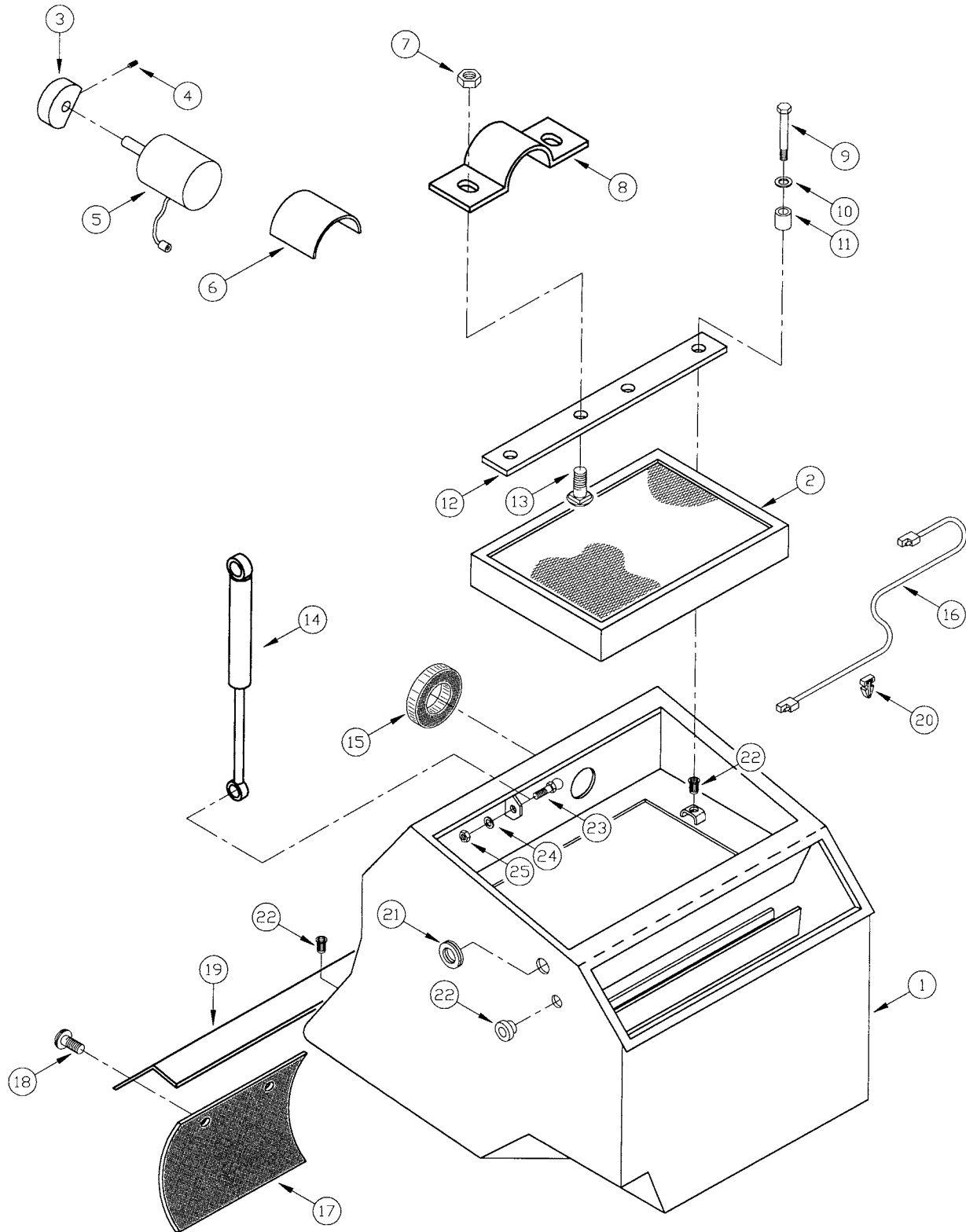
020PAX002

REF #	PART #	DESCRIPTION	QTY
1	3338082	WELD—FRAME	1
2	3401954	SCR—HEX .50-13 x 3.5	2
3	3400065	NUT—HEX 1/2-13 ZP	2
4	3311123	SEAL—FRAM FRONT	1
5	3311417	BAR—RETAINER FRONT SEAL PLTD	1
6	3400790	SCREW—BHSC .375X16 x 1	23
7	3311413	SEAL—HOPPER SIDE	2
8	3311414	BAR—SEAL RETAINER PLTD	2
9	3322186	INSERT—3/8-16 UNC	35
10	3307658	CHAIN—GROUNDING ARMA	1
11	3400034	SCR—HEX 5/16-18 x 1.25 ZP	1
12	3400080	NUT—HEX 5/16-18 ES ZP	1
13	3400088	WASHER—FLAT 5/16 STANDARD ZP	1
14	3318572	FLAP—BROOM CHAMBER	1
15	3318571	ANGLE—REAR FLAP	1
16	3318573	FLAP—BROOM CHAMBER	1
17	3318574	RETAINER—REAR FLAP	1
18	3322185	INSERT—1/2-13 UNC	2
19	3301553	LIGHT—TRASH RELOCATOR	2
20	3311993	SWITCH—ROCKER PANEL	2
21	3318514	SWITCH—SPDT ROCKER	2
22	3318483	SWITCH—DPST ROCKER	1
23	3315336	HOUR METER—HOBBS 85094-12	1
24	3338065	DECAL—CONTROLS SW/6XV	1
25	3315914	GAUGE PANEL—STEWART WARNER 4GC	1
26	3300441	SWITCH—MOMENTARY STARTER	1
		<i>END OF THIS SECTION</i>	

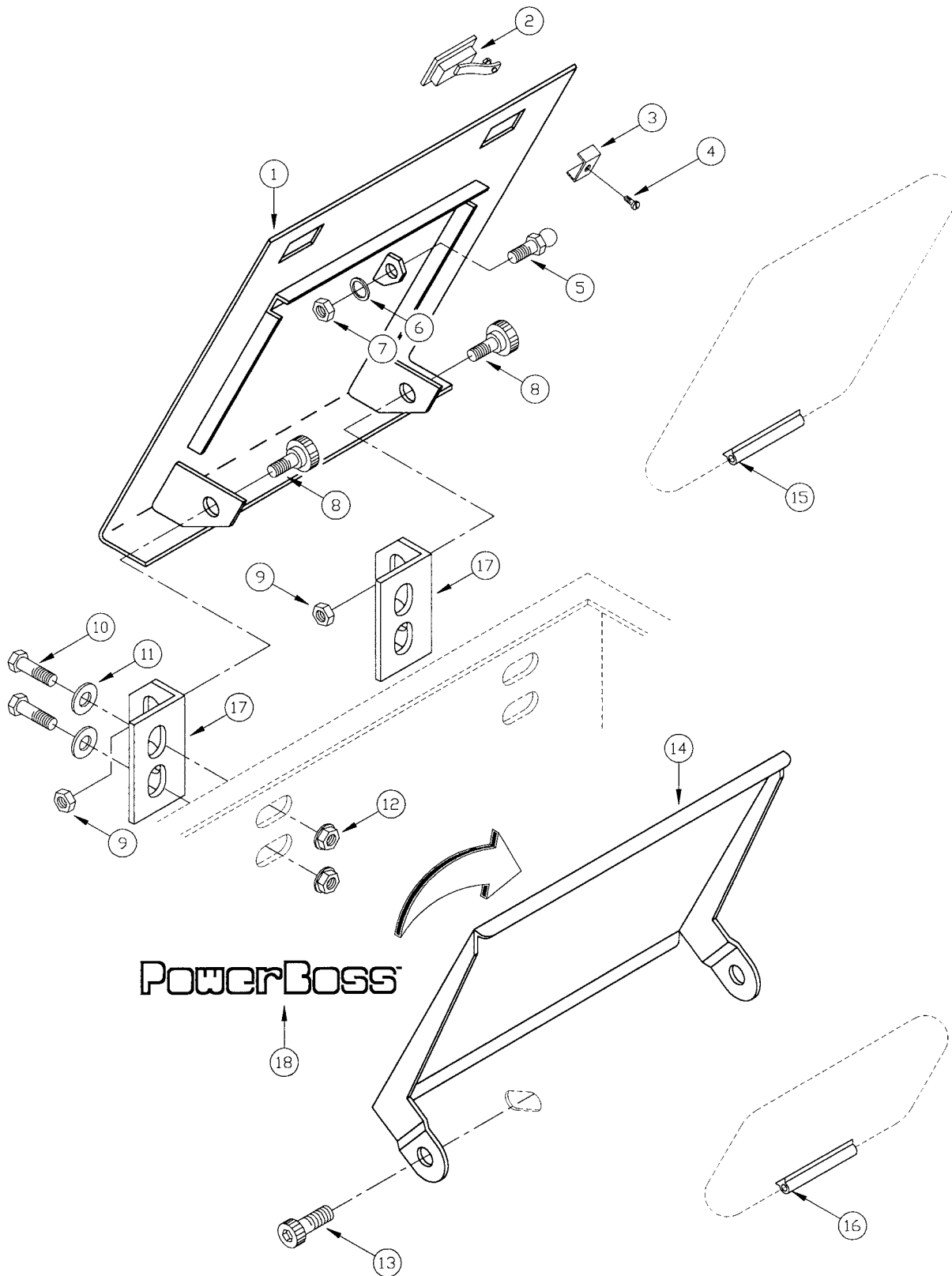




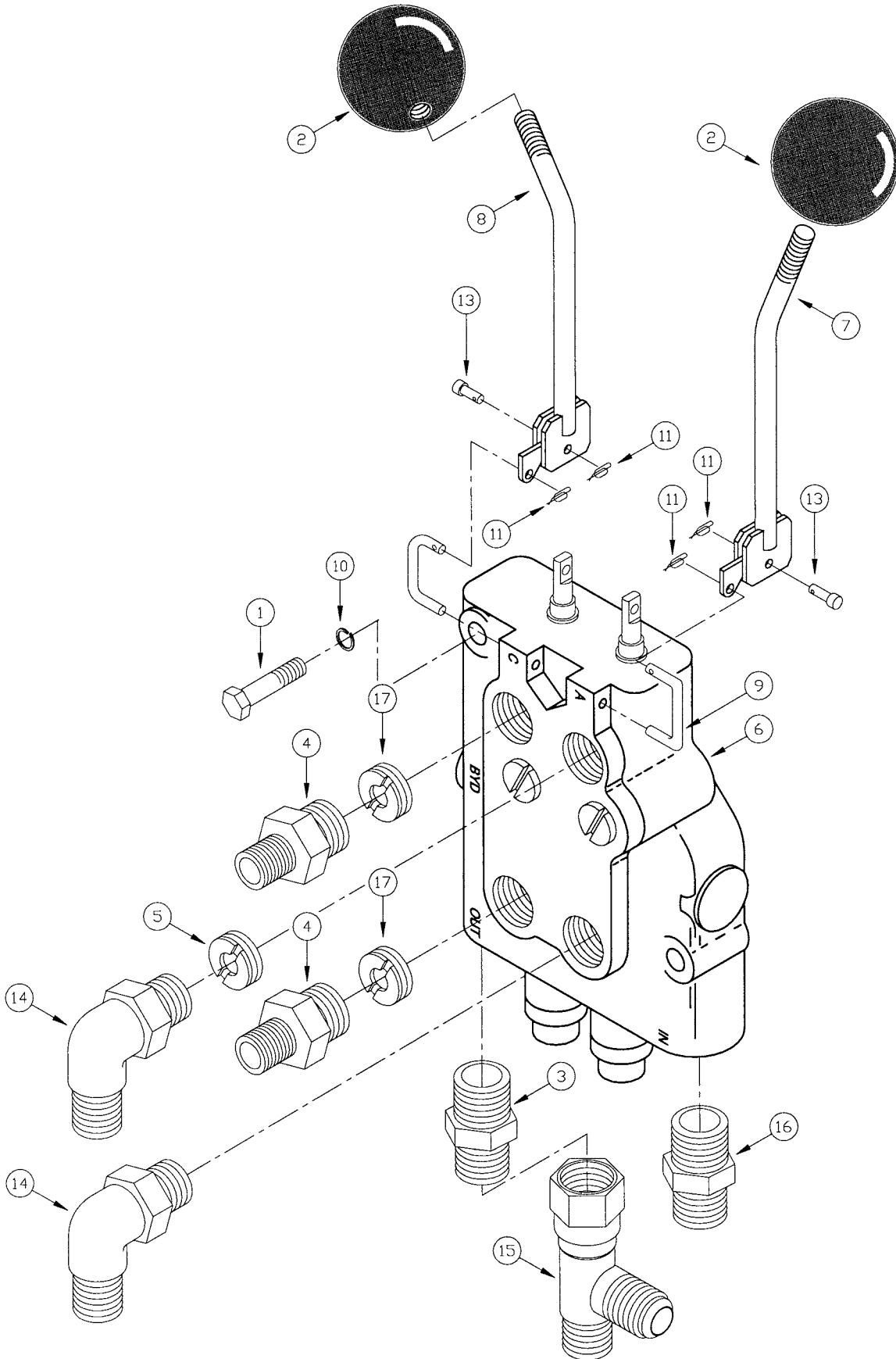
REF #	PART #	DESCRIPTION	QTY
1	3318386	TANK—FUEL	1
2	3400793	FTG—90 DEG 3/8 BARB TO 1/4 NPT	1
3	3400657	FTG—HOSE BARB 1/4 MPT-1/4 HOSE	1
4	3318401	STRAP—FUEL TANK	1
5	3400079	NUT—HEX 3/8-16 ES ZP	1
6	3300393	CAP—GAS TANK	1
7	3300417	FILTER—FUEL	1
8A	3309239	PUMP—FUEL (DIESEL)	1
8B	PBK12691-52031	PUMP—FUEL (GASOLINE)	1
		<i>END OF THIS SECTION</i>	





REF #	PART #	DESCRIPTION	QTY
1	3318609	WELD - HOPPER	1
2	3311325	FILTER - HOPPER	1
3	3301053	WEIGHT - ECCENTRIC PNTD	1
4	3400055	SCR - SET #10-24 x .31 ZP	1
5	3300424	MOTOR - SHAKER FILTER	1
6	3300904	MOUNT - NEOPRENE SHAKER MOTOR	1
7	3400080	NUT - HEX 5/16-18 ES ZP	2
8	3300915	RETAINER - SHAKER MOTOR PNTD	1
9	3400501	SCR - HEX 3/8-16 x 4.00 ZP	2
10	3400233	WASHER - FENDER 5/16 x 1.00 OD	2
11	3307850	ISOLATOR - HOPPER FILTER	2
12	3311456	BAR - FILTER RETAINER	1
13	3400009	SCR - CAR 5/16-18 x 1.00 ZP	2
14	3305006	SPRING - GAS	1
	3307005	GASKET - IMPELLER SW/A	1
16	3302328	HARNES - WIRING HOPPER	1
17	3311237	FLAP - HOPPER LIP	4
18	3400790	SCREW - BHSC .375-16 x 1	8
19	3311238	ANGLE - HOPPER FLAP RETAINER	1
20	3400784	MOUNT - CABLE TIE	3
21	3301665	GROMMET - Z - 2056	1
22	3322186	INSERT 3/8-16 UNC	12
23	3300376	STUD - BALL GAS SPRING	1
24	3400102	WASHER - LOCK 5/16 SPLIT ZP	1
25	3400070	NUT - HEX 5/16-18 ZP	1
		<i>END OF THIS SECTION</i>	

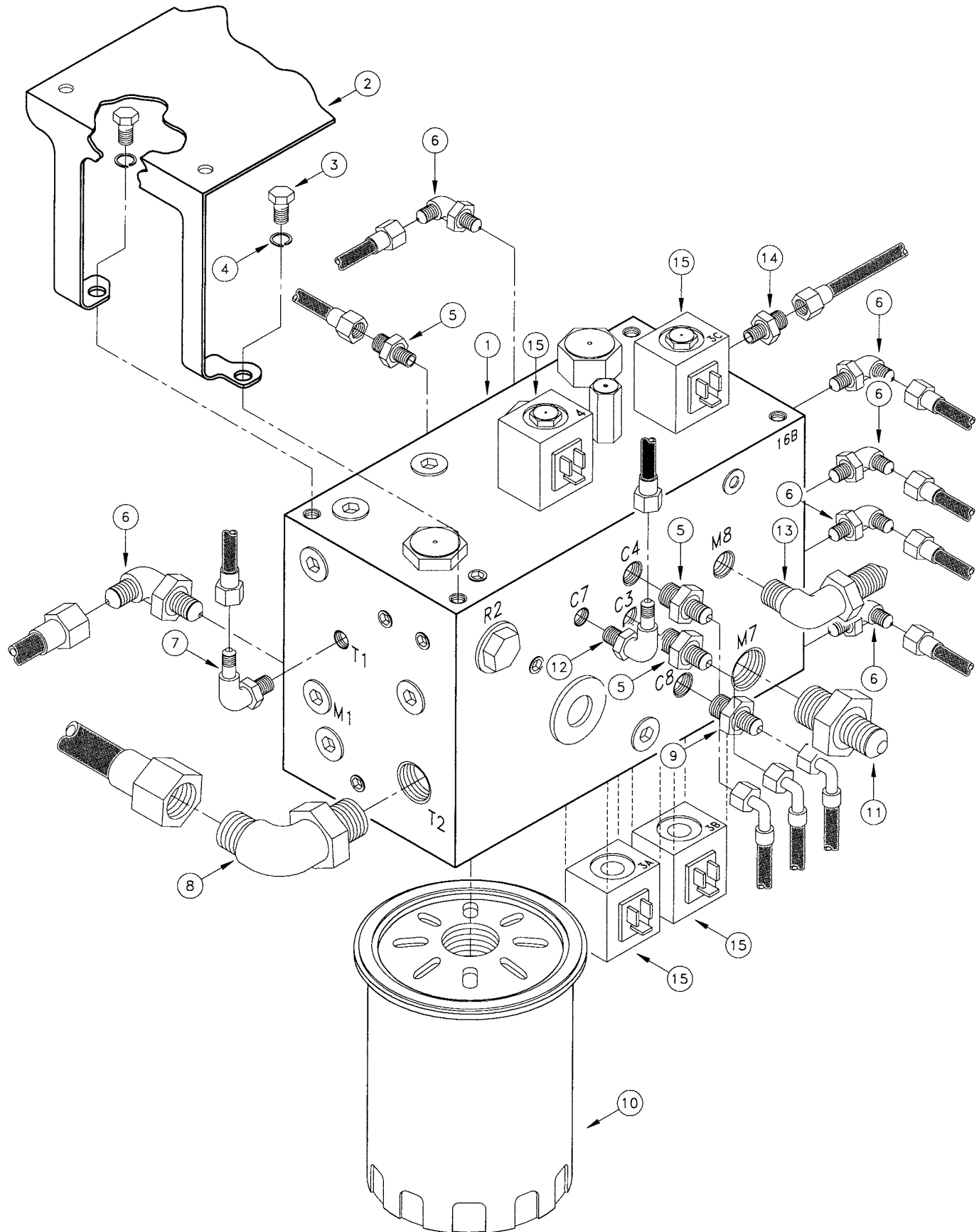


REF #	PART #	DESCRIPTION	QTY
1	3311240	WELD—HOPPER HOOD PNTD	1
2	3300380	LATCH ASSEMBLY—#C2-10-301-50	2
3	*	INC W/#2	2
4	*	INC W/#2	2
5	3300376	STUD—BALL GAS SPRING	1
6	3400102	WASHER—LOCK 5/16 SPLIT ZP	1
7	3400070	NUT—HEX 5/16-18 ZP	1
8	3400052	SCR—HSS 5/16 DIA x .25 ZP	2
9	3400063	NUT—FLANGE LOCK 1/4-20 ZP	2
10	3400035	SCR—HEX 5/16-18 x 1.00 ZP	4
11	3400384	WASHER—CONICAL SPRING 5/16	4
12	3400390	NUT—FLANGE LOCK 5/16-18 ZP	4
13	3400170	SCR—HSS 1/2 DIA x .31 ZP	2
14	3318540	LID—HOPPER	1
15	3318739	WEATHER STRIPPING—RUBBER SPONGE	7.0 FT.
16	3318739	WEATHER STRIPPING—RUBBERSPONGE	7.0 FT.
17	3311245	HINGE—FILTER COVER PAINTED	2
18	3301643	DECAL—"POWERBOSS" MAROON	1
		<i>END OF THIS SECTION</i>	



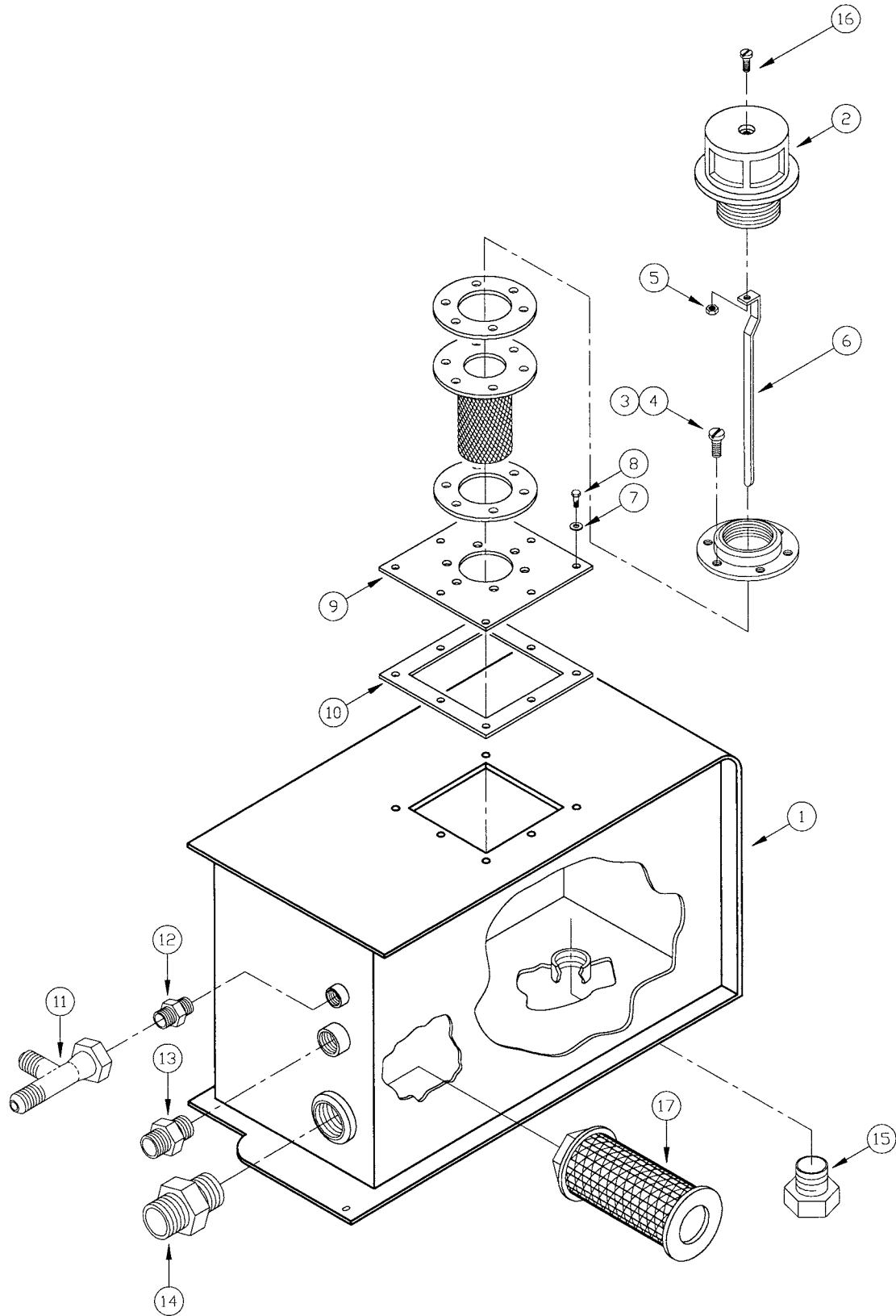
080PAX001

REF #	PART #	DESCRIPTION	QTY
1	3400173	SCR—HEX,1/4-20X1.75 ZP	2
2	3300562	KNOB—BALL 1.375" DIA #95 BLACK	2
3	3304899	FTG—ADAP 3/4-16 TO 1/2 OD TUBE	1
4	3400264	FTG—MALE CONNECTOR 9/16 TO #4	2
5	3313013	ORIFICE—CYL A CONT VALVE	1 
6	3338092	DIR CONTROL VALVE—SW6XV	1
7	3313278	WELD—VALVE HANDLE LH 62 G&D	1
8	3313277	WELD—VALVE HANDLE RH 62 G&D	1
9	3313298	LINK—U CONTROL SW62 GAS/DSL/LP	2
10	3400103	WASHER—LOCK 1/4 SPLIT ZP	2
11	3400742	RUE RING—1/4 HEAVY ZP	4
12	3400245	FTG—SWIVEL 90 EL #4 JIC	1
13	3400426	PIN—CLEVIS 3/16 X 3/4 ZP	2
14	3400470	FTG—90° 9/16-18 TO #4 JIC	2
15	3400250	FTG—TEE SWIVEL 1/2 TUBE	1
16	3400648	FTG—ADPT ST THD 3/4-16 TO #6	1
 17	3313014	ORIFICE—CYL C&D CONTROL VALVE	2
		<i>END OF THIS SECTION</i>	

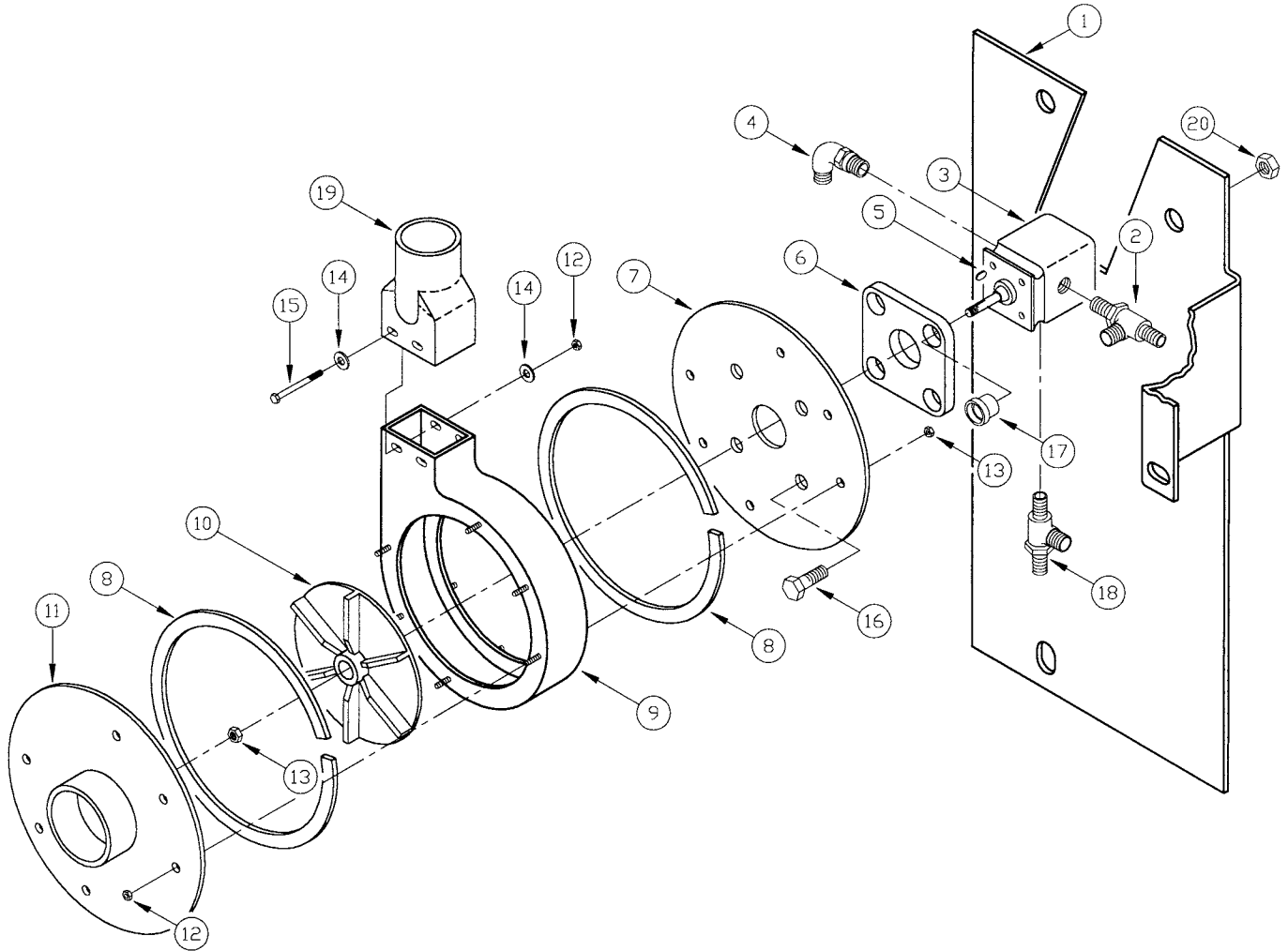


080PAX005

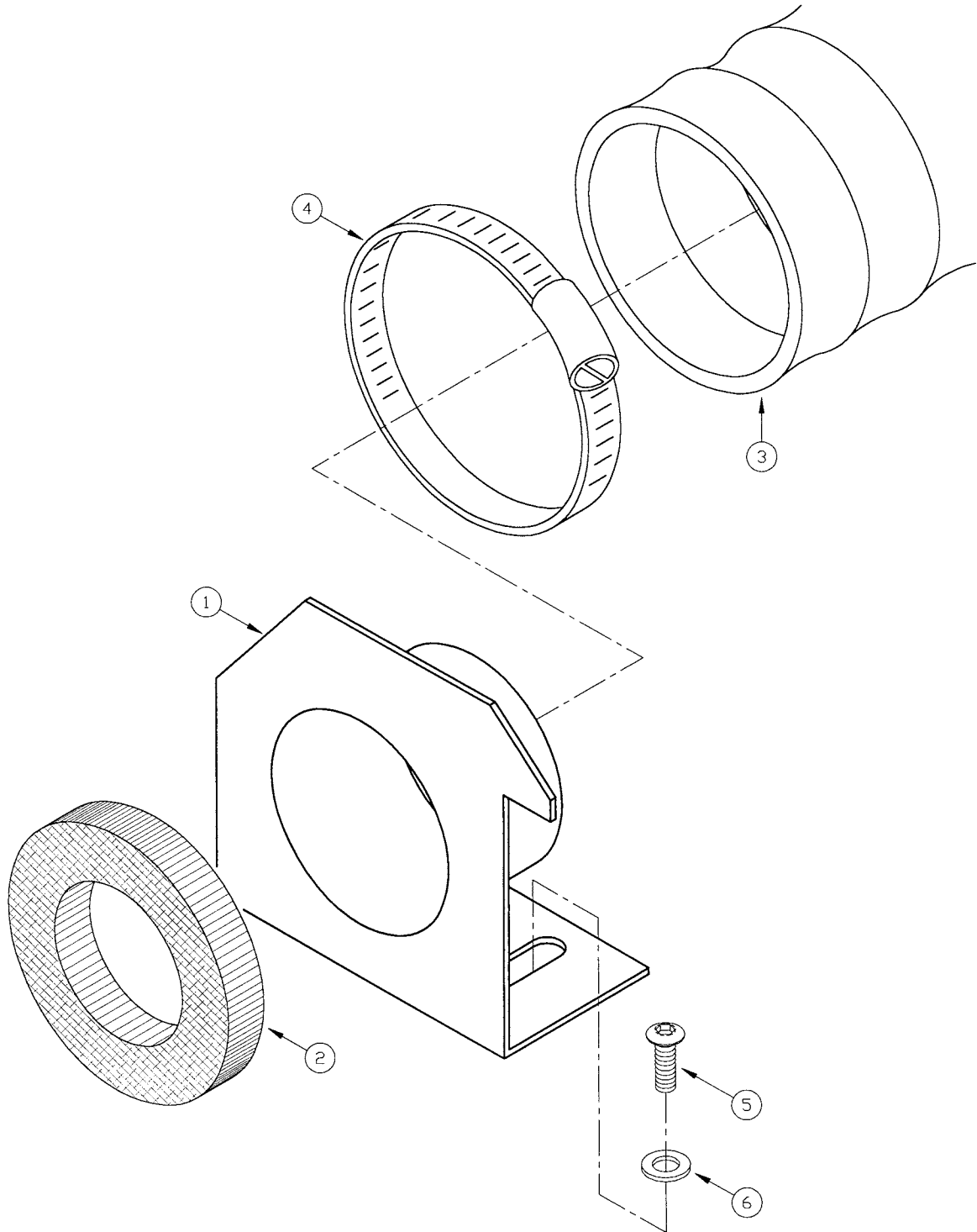
REF #	PART #	DESCRIPTION	QTY
1	3338100	VALVE—HYD MANIFOLD SWEEPERS	1
2	3338210	MOUNT—HYD MANIFOLD SW/6XV	1
3	3400036	SCR—HEX,5/16-18X0.75 ZP	4
4	3400102	WASHER—LOCK 5/16 SPLIT ZP	4
5	3400212	FTG—ADAPTER 7/16-20 TO # 4	3
6	3400154	FTG—90 3/4-16 TO #8	6
7	3400153	FTG—90 9/16-18 TO #6	1
8	3338184	FTG—.75 x .75 STR THD O-RING 90 EL	1
9	3338183	FTG—3/8 x 1/4 STR THD O-RING	1
10	3300359	FILTER—HYD	1
11	3304899	FTG—ADAP 3/4-16 TO 1/2 OD TUBE	1
12	3302407	FTG—90 EL 7/16-20 TO 1/4 TUBE	2
13	3338187	FTG—90 EL .25 –.38 STR THD O-RING	1
14	3400635	FTG—ADAPTOR CONNECTOR 9/16-18	1
15	3331353	COIL—EATON SPECIAL	4
		END OF THIS SECTION	

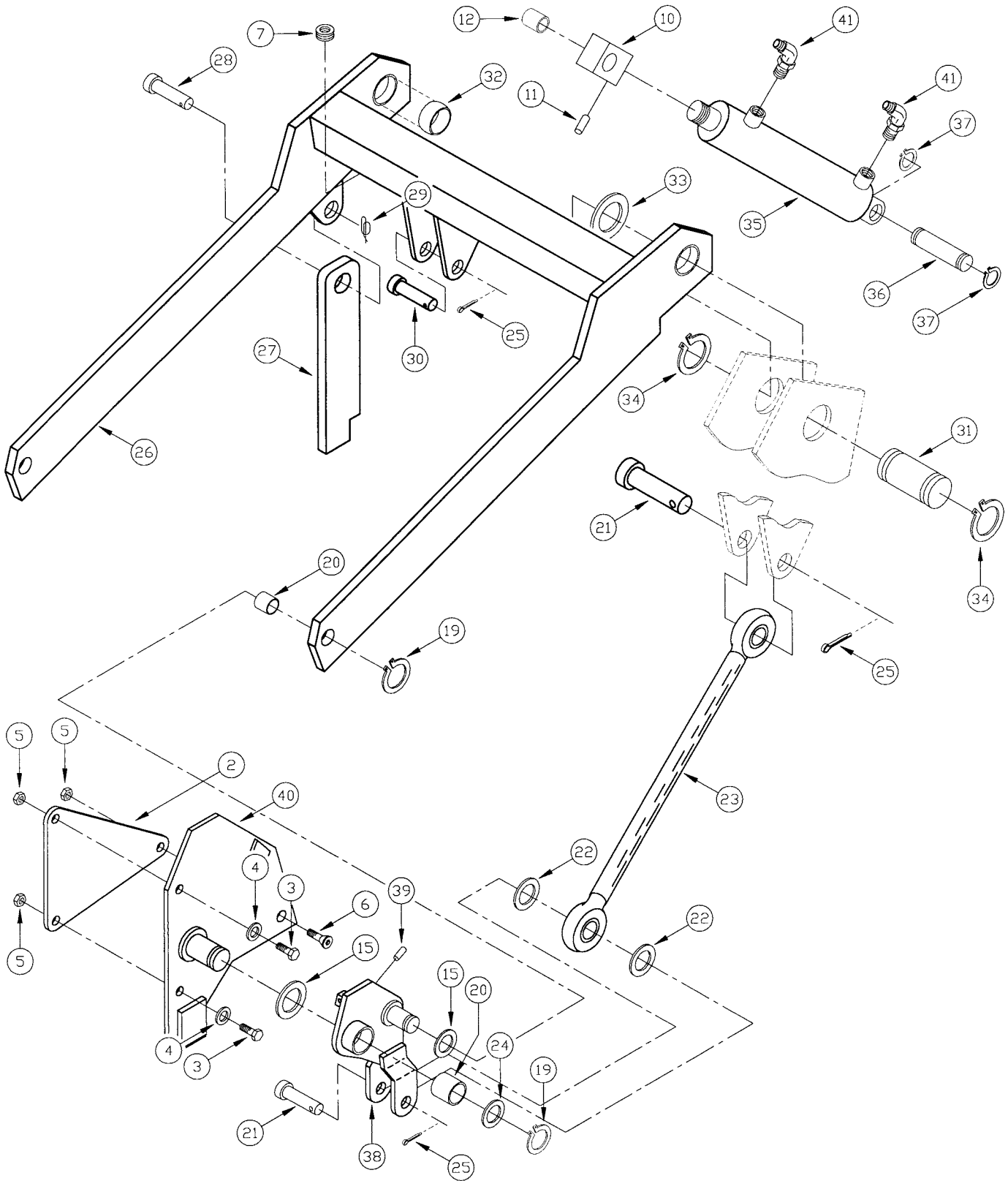


080PAX006



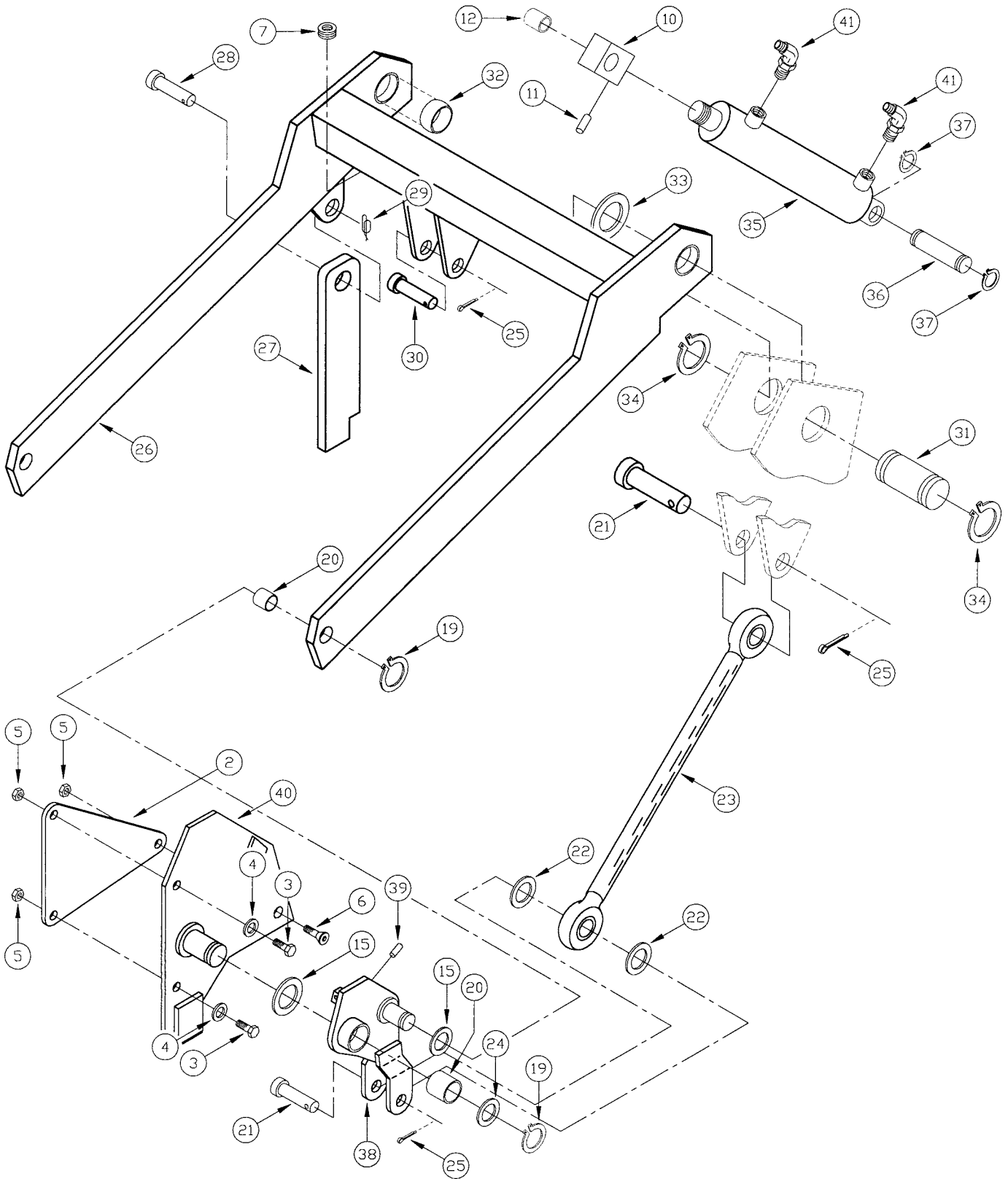
REF #	PART #	DESCRIPTION	QTY
1	3338016	MOUNT—IMPELLER	1
2	3400163	FTG—TEE OFFSET 3/4-16 TO #8	1
3	3313008	MOTOR—HYDRAULIC IMPELLER	1
4	3400154	FTG—90 3/4-16 TO #8	1
5	3300344	KEY 1/8 x 1/8 x 3/4	1
6	3307152	WELD—IMPELLER MOTOR MNT PNTD	1
7	3322121	MOUNT—IMPELLER MOTOR PNTD	1
8	3304183	GASKET—IMPELLER	2
9	3307004	SHROUD—IMPELLER PNTD	1
10	330703	IMPELLER—ARMA CASTING & MACHIN	1
11	3311334	ASSEMBLY—IMPELLER INLET PLATE PNTD	1
12	3400081	NUT—HEX 1/4-20 ES ZP	14
13	3400420	NUT—HEX 5/16-24 ES	1
14	3400089	WASHER—FLAT 1/4 STANDARD ZP	4
15	3402008	SCR—HEX 1/4-20 x 3.75 ZP	2
16	3400027	SCR—HEX 3/8-16 x 1.75 ZP	4
17	3300465	MOUNT—ISOLATION	4
18	3400844	FTG—4R50X-S	1
19	3315347	EXHAUST—IMPELLER 9XV	1
20	3400079	NUT—HEX 3/8-16 ES ZP	4
		<i>END OF THIS SECTION</i>	

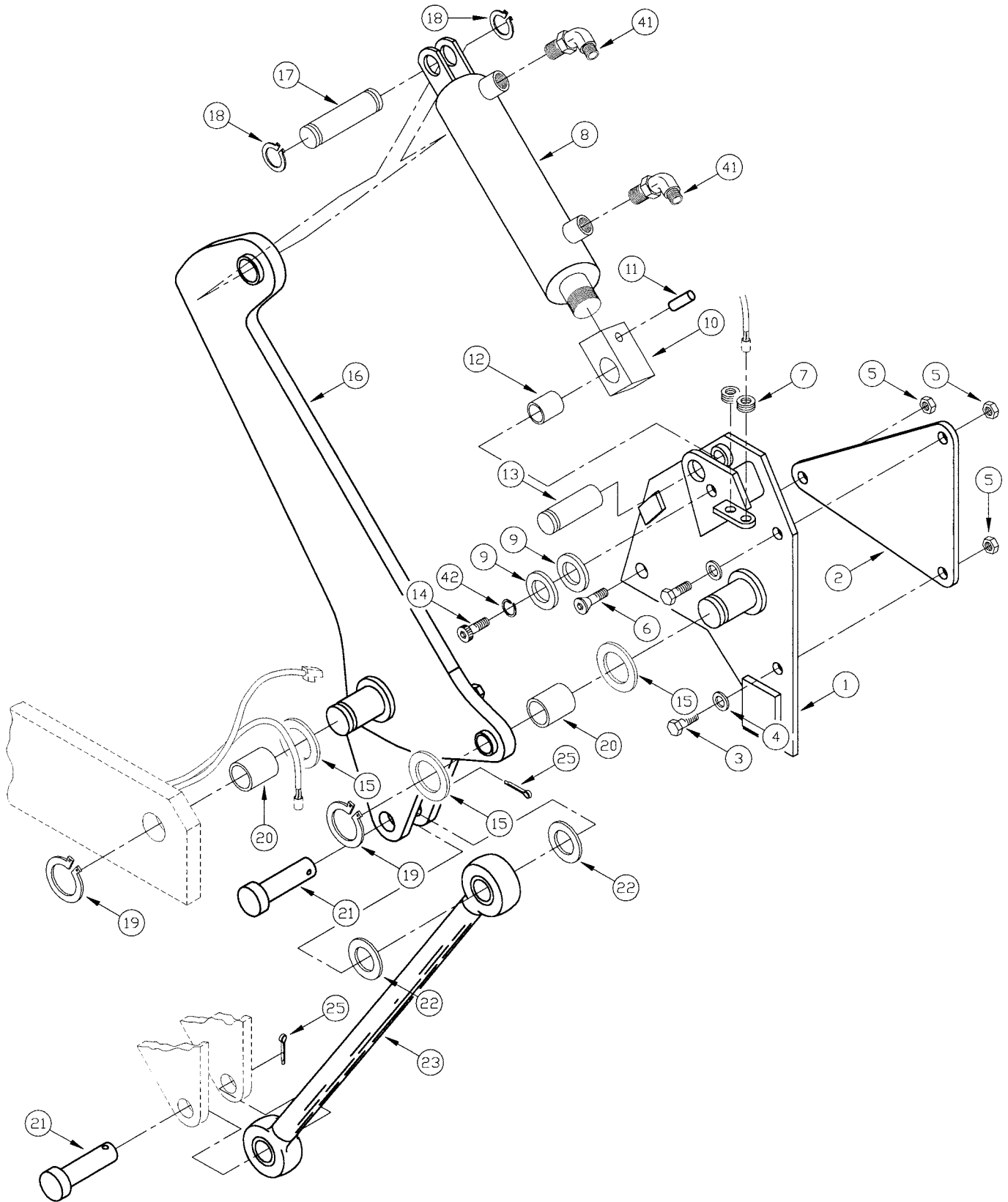




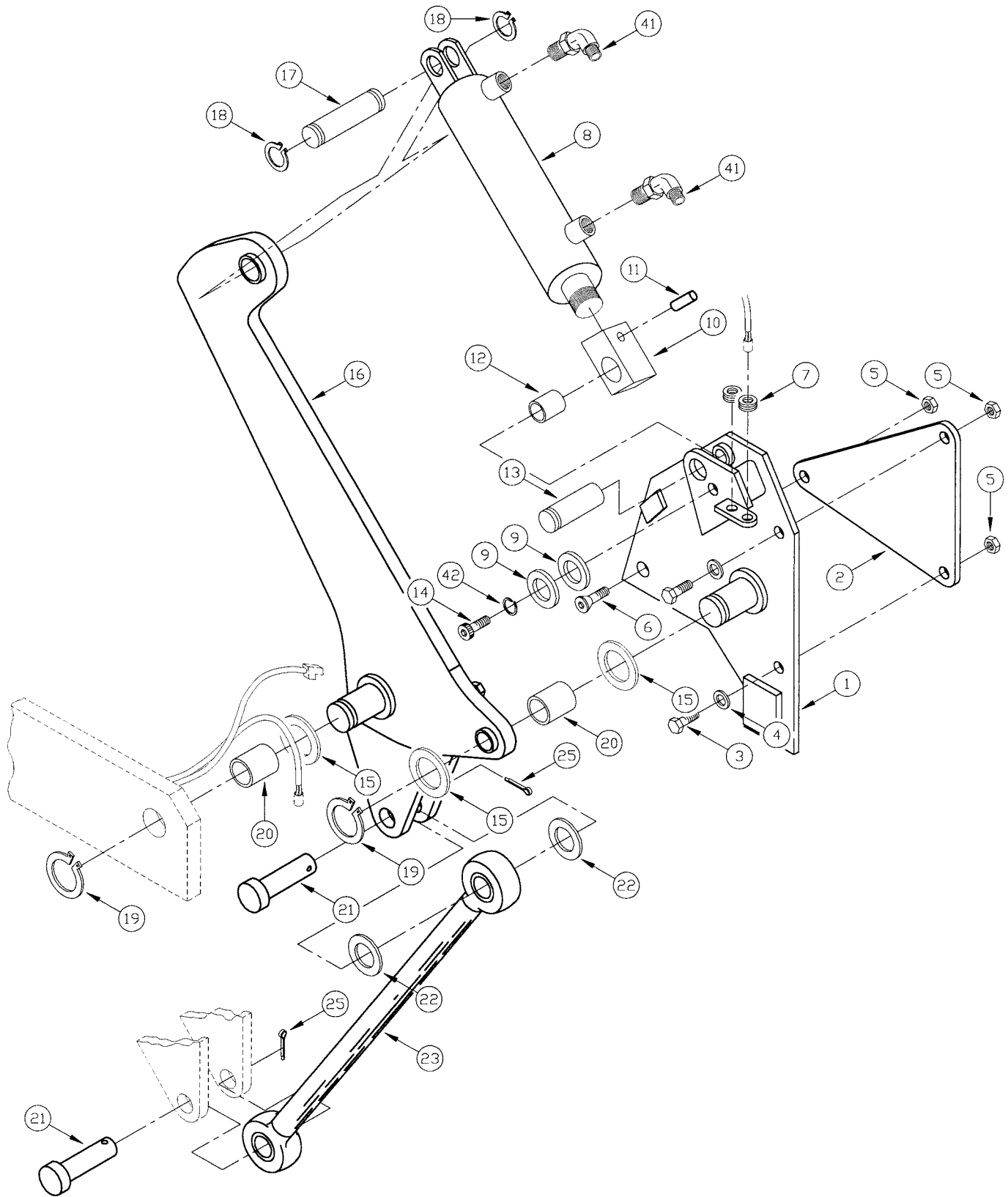
022PAX004

REF #	PART #	DESCRIPTION	QTY
1	3311206	WELD—ROTATION PLATE RH	1
2	3311244	PLATE—HOPPER DOUBLER	2
3	3400030	BOLT—3/8-16 x 1.0 LONG	4
4	3400087	WASHER—3/8 FLAT	4
5	3400392	NUT 3/8-16 FLANGE LOCK	6
6	3400444	SCREW—FLAT HD 3/8-16 x 1.0	2
7	3301665	GROMMET—Z2056	3
8	3307323	CYLINDER—ROTATION (GOLDSTAR)	1
8A	3321269	KIT—CYLINDER SEAL (GOLDSTAR)	1
-	-	line not used	-
9	3400092	WASHER—3/8 FENDER	2
10	3300229	ASSEMBLY—BLOCK CYLEND PLTD	2
11	3400054	SCREW— SET 1/4-20 x .25 LONG ZP	2
12	3300552	BEARING—1.0ID x 1.50LG	2
13	3311213	PIN—ROTATION PLATE CYLINDER ZP	1
14	3400219	BOLT 5/16-18 x .50 ZP	1
15	3311458	BEARING—FIBERGLIDE LTD-2442	4
16	3311200	ASSEMBLY—LIFT ARM CYLINDER MOUNT	1
17	3307607	PIN—CYL RETAINING	1
18	3301998	RETAINING RING	2
19	3311330	RETAINING RING 5100-150	4
20	3311457	BEARING—FIBERGLIDE CJS-2428	4
21	3400439	PIN—CLEVIS 3/4 x 2.00	2
22	3311012	WASHER—HI-DUMP SPACER SEC. ARM	4
23	3311216	ASSEMBLY—SECONDARY LIFT ARM	2
24	3311219	WASHER—SPACER ROTATION PLATE	2
25	3400120	PIN—COTTER 5/32 x 2.0 ZP	5
26	3338096	WELD—LIFT ARM	1
27	3311316	SAFETY ARM PAINTED	1
28	3400462	PIN—CLEVIS 5/8 x 1.5	1
29	3400124	PIN—COTTER 5/8 RUE-RING	1
30	3400472	PIN—CLEVIS 1.0 x 3.0 ZP	1
31	3311197	PIN—UPPER LIFT ARM ZP	2
32	3300836	BEARING—2.18OD x 2.00ID x .75	2
33	3311295	WASHER—SPACER LIFT PINS ZP	4

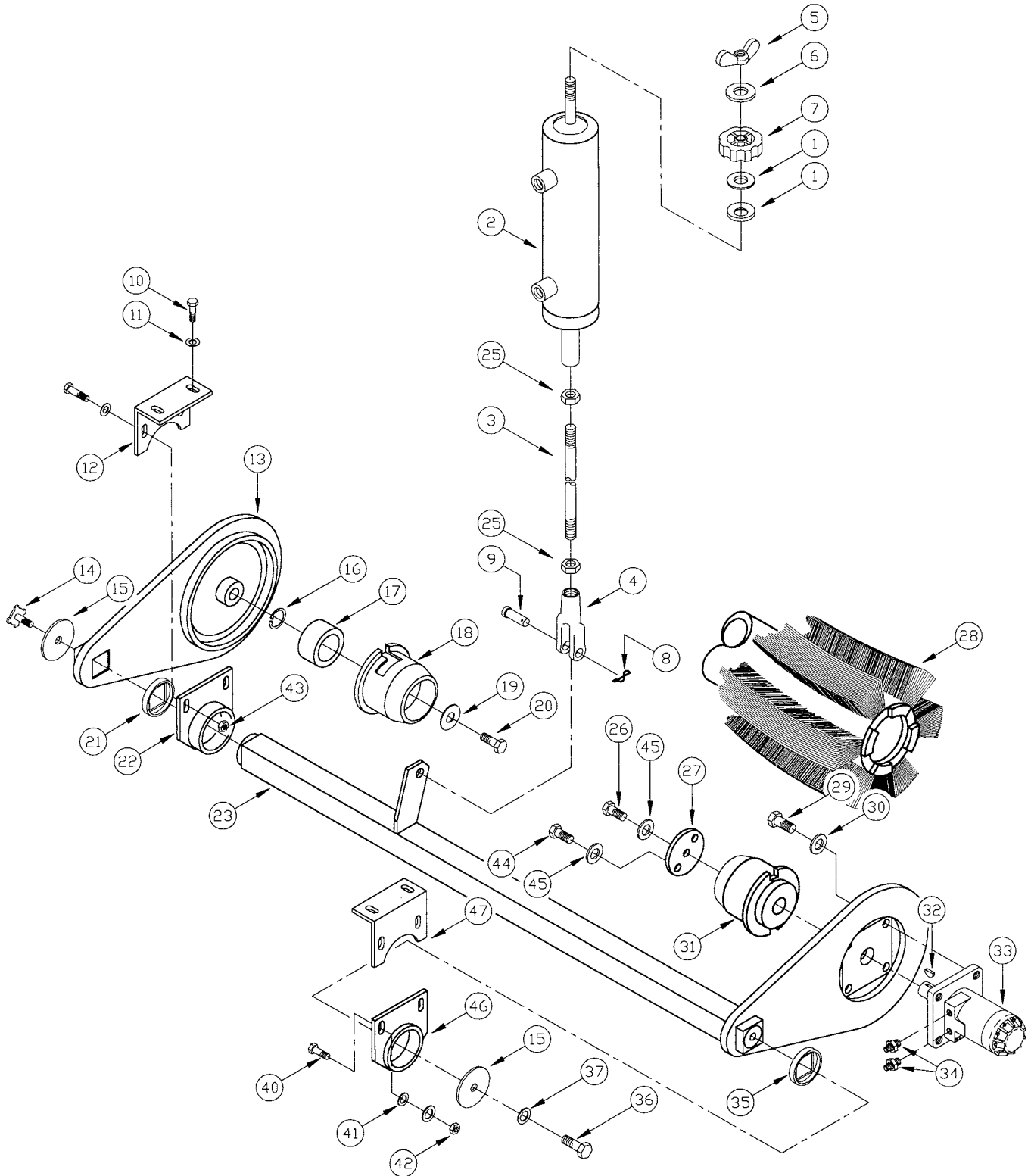




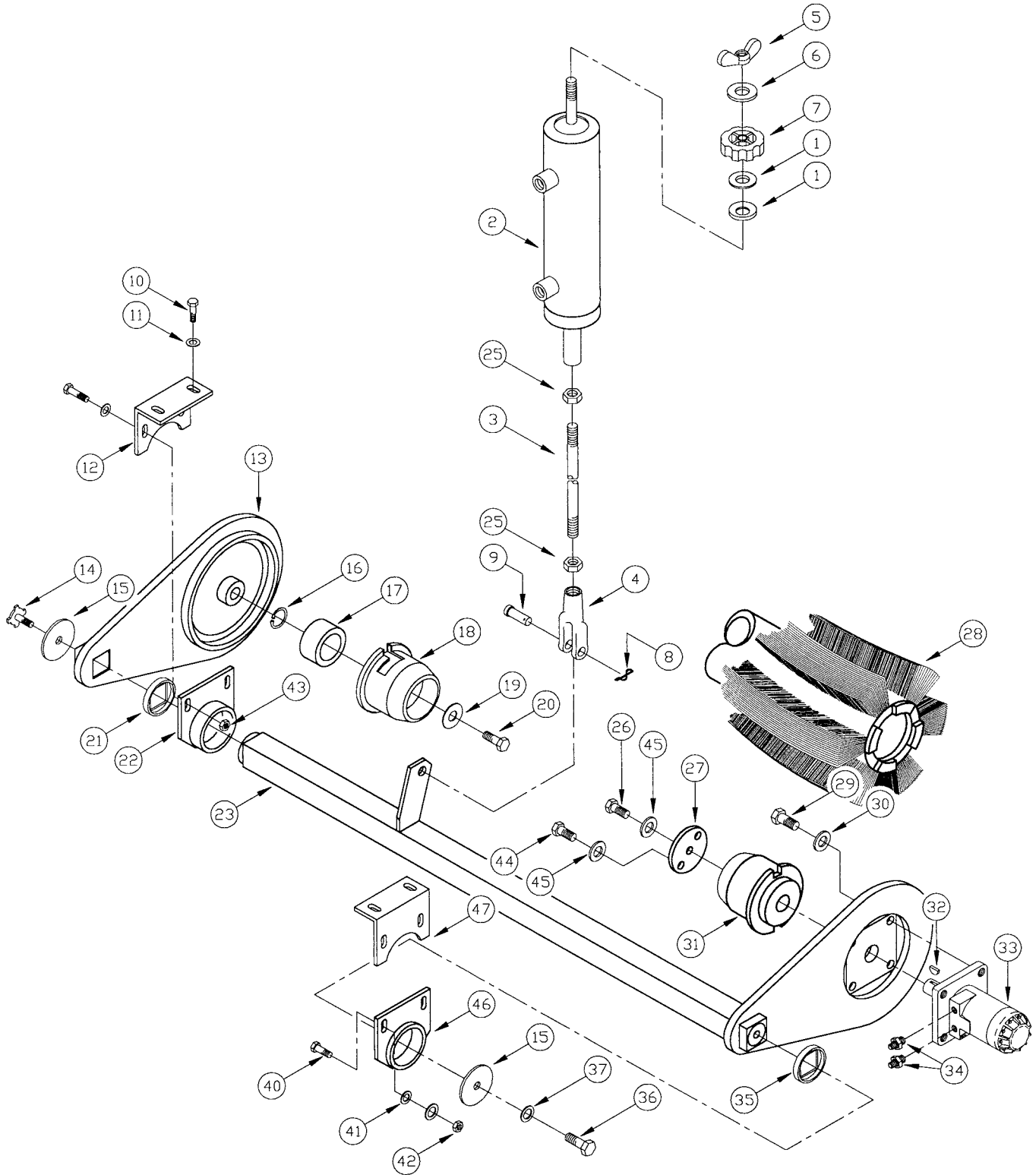
REF #	PART #	DESCRIPTION	QTY
1	3311206	WELD—ROTATION PLATE RH	1
2	3311244	PLATE—HOPPER DOUBLER	2
3	3400030	BOLT—3/8-16 x 1.0 LONG	4
4	3400087	WASHER—3/8 FLAT	4
5	3400392	NUT 3/8-16 FLANGE LOCK	6
6	3400444	SCREW—FLAT HD 3/8-16 x 1.0	2
7	3301665	GROMMET—Z2056	3
8	3307323	CYLINDER—ROTATION (GOLDSTAR)	1
8A	3321269	KIT—CYLINDER SEAL (GOLDSTAR)	1
-	-	line not used	-
9	3400092	WASHER—3/8 FENDER	2
10	3300229	ASSEMBLY—BLOCK CYLEND PLTD	2
11	3400054	SCREW— SET 1/4-20 x .25 LONG ZP	2
12	3300552	BEARING—1.0ID x 1.50LG	2
13	3311213	PIN—ROTATION PLATE CYLINDER ZP	1
14	3400219	BOLT 5/16-18 x .50 ZP	1
15	3311458	BEARING—FIBERGLIDE LTD-2442	4
16	3311200	ASSEMBLY—LIFT ARM CYLINDER MOUNT	1
17	3307607	PIN—CYL RETAINING	1
18	3301998	RETAINING RING	2
19	3311330	RETAINING RING 5100-150	4
20	3311457	BEARING—FIBERGLIDE CJS-2428	4
21	3400439	PIN—CLEVIS 3/4 x 2.00	2
22	3311012	WASHER—HI-DUMP SPACER SEC. ARM	4
23	3311216	ASSEMBLY—SECONDARY LIFT ARM	2
24	3311219	WASHER—SPACER ROTATION PLATE	2
25	3400120	PIN—COTTER 5/32 x 2.0 ZP	5
26	3338096	WELD—LIFT ARM	1
27	3311316	SAFETY ARM PAINTED	1
28	3400462	PIN—CLEVIS 5/8 x 1.5	1
29	3400124	PIN—COTTER 5/8 RUE-RING	1
30	3400472	PIN—CLEVIS 1.0 x 3.0 ZP	1
31	3311197	PIN—UPPER LIFT ARM ZP	2
32	3300836	BEARING—2.18OD x 2.00ID x .75	2
33	3311295	WASHER—SPACER LIFT PINS ZP	4

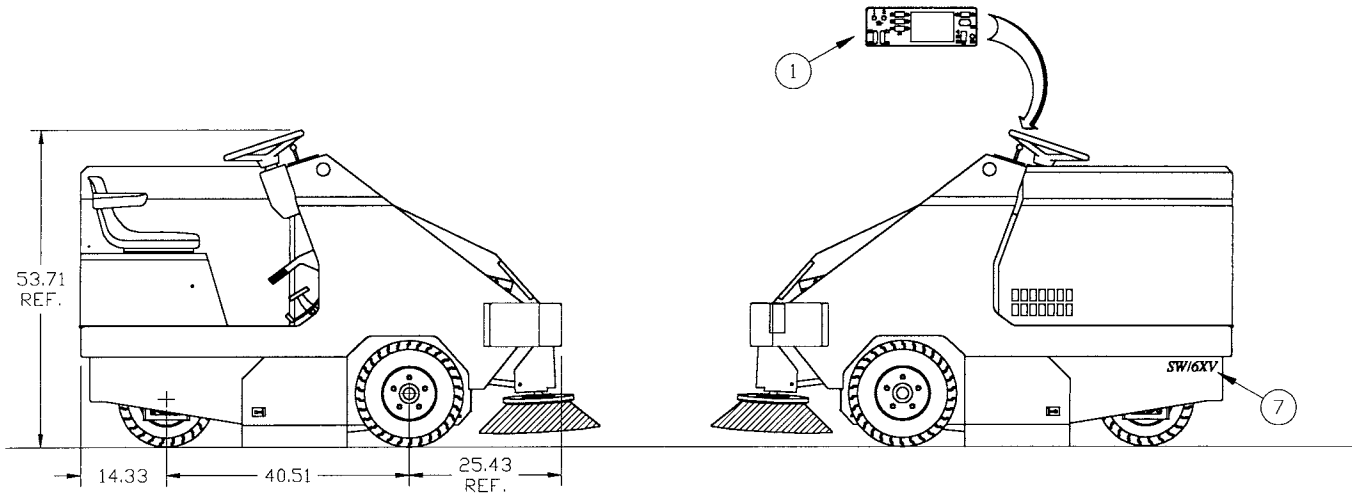


REF #	PART #	DESCRIPTION	QTY
34	3311379	RING—RETAINING 5100-175 1.75	4
35	3318711	CYLINDER—LIFT	1
35A	3330887	KIT—CYLINDER SEAL (GREEN MFG)	1
35B	3331331	KIT—CYLINDER SEAL (GOLD STAR)	1
36	3307408	PIN—CYLINDER MOUNT	1
37	3307431	RING—RETAIING 5100-125	2
38	3311198	ASSEMBLY—LIFT ARM IDLER	1
39	3400446	SCREW—SET 3/8-24 x 1.25 ZP	4
40	3311212	ASSEMBLY—ROTATION PLATE LH	1
41	3312407	FTG—90 1/2-20 TO #4	4
42	3400102	WASHER—LOCK 5/16 SPLIT ZP	1
		<i>END OF THIS SECTION</i>	



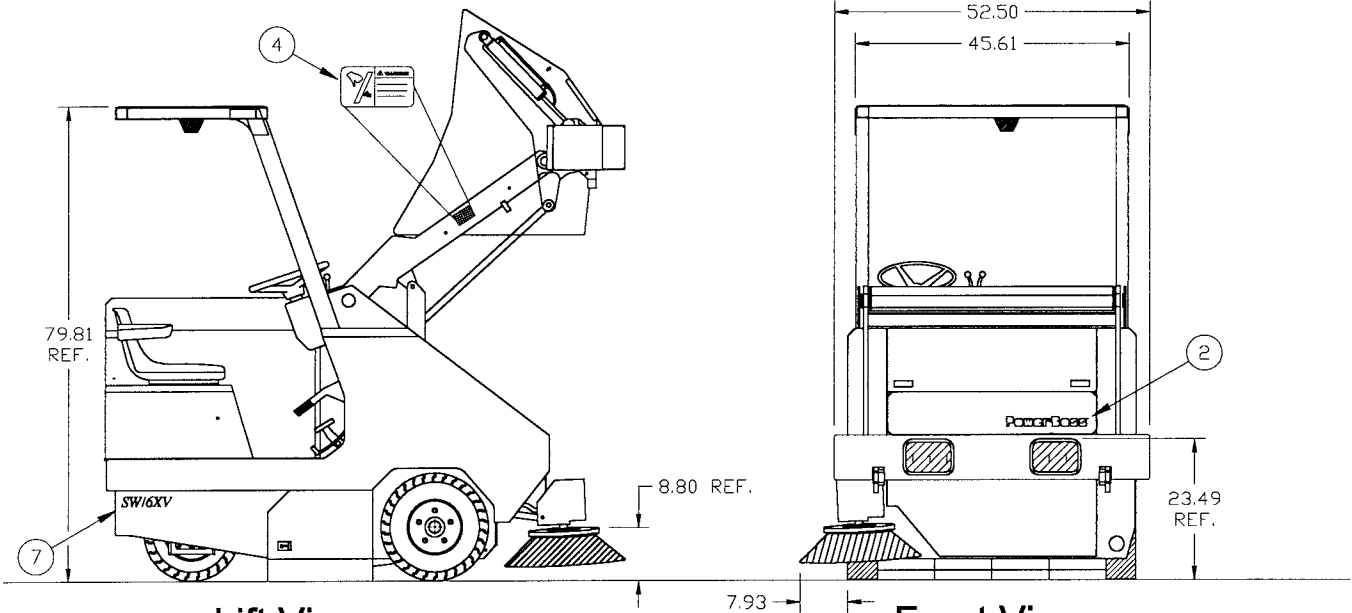
REF #	PART #	DESCRIPTION	QTY
1	3338194	WASHER—SPHERICAL MAIN BROOM	1
2	3338129	CYLINDER—MAIN BROOM LIFT SW6XV	1
3	3338192	ROD—MAIN BROOM LIFT SW/6XV	1
4	3301447	CLEVIS—3/8-24	1
5	3400084	NUT—WING 1/2-13 ZP	1
6	3400091	WASHER—FENDER 1/2 ZP	1
7	3300352	KNOB—MB LIFT HDJ	1
8	3400125	PIN—COTTER 3/8 RUE RING	1
9	3400117	PIN—CLEVIS 3/8 x 1-1/8	1
10	3400030	SCR—HEX 3/8-16 x 1.00	2
11	3400385	WASHER—CONICAL SPRING 3/8	2
12	3318675	ANGLE—MAIN BROOM TUBE BRG MNT	1
13	3311147	ASSEMBLY—MAIN BROOM IDLER ARM PNTD	1
14	3318429	KNOB—MB IDLER RETAINER	1
15	3311013	WASHER—MAIN BROOM RETAINER PLTD	1
16	3300475	RING—RET INT 2.06	1
17	3309618	BEARING—STEERING ARM 205PP	1
18	3301051	HUB—BROOM IDLER PNTD	1
19	3400091	WASHER—FENDER 1/2 ZP	1
20	3400022	SCR—HEX 1/2-13 x 1.25 ZP	1
21	3311022	BUSHING—MAIN BROOM	1
22	3311161	WELDMENT—MAIN BROOM TUBE BRG MNT R / H	1
23	3318569	WELD—PIVOT TUBE	1
-	-	line not used	-
25	3400067	NUT—HEX 3/8-24 ZP	2
26	3400049	SCR—SOC 1/4-20 x 0.75 ZP NYLOCK	3
27	3301285	RETAINER—DR HUB PLTD	1
28	3300314	36" NYLON MAIN BROOM	1
-	3300302	36" PROEX & WIRE MAIN BROOM	OPTION
-	3300304	36" HIGH DENSITY NYLON MAIN BROOM	OPTION
-	3300312	36" POLY PROEX MAIN BROOM	OPTION
-	3300316	36" PATROL (HERRINGBONE) MAIN BROOM	OPTION
-	3300320	36" HIGH DENSITY NATURAL FIBRE & WIRE MAIN BROOM	OPTION
-	3300326	36" CRINKLE WIRE MAIN BROOM	OPTION
29	3400032	SCR—HEX 3/8-16 x 0.75 ZP	4





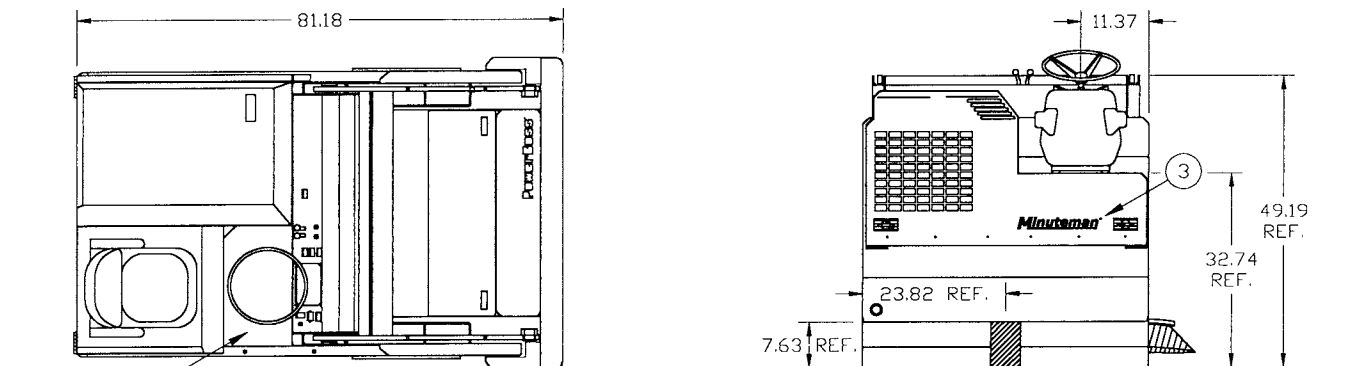
Right-Hand View

Left-Hand View



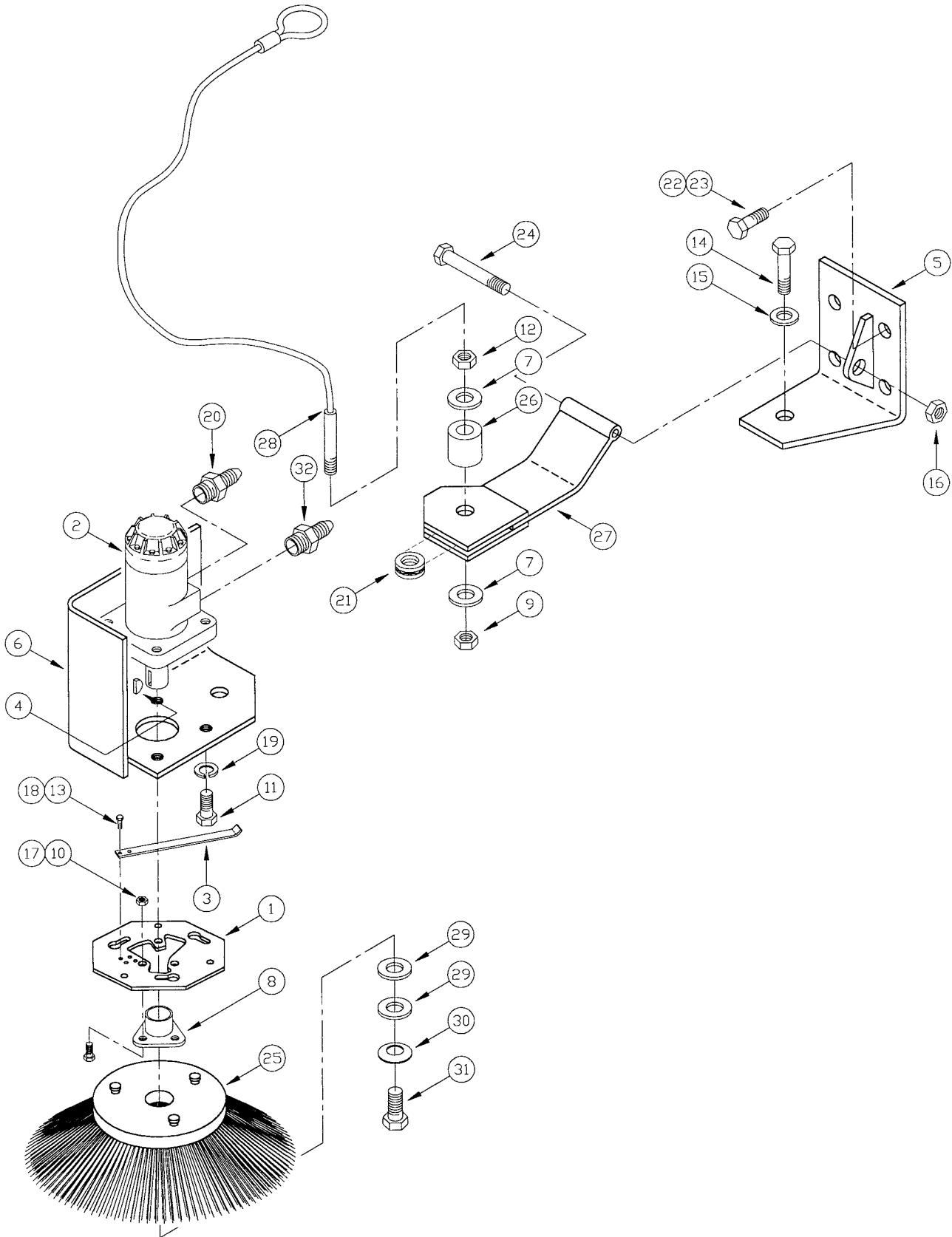
Lift View

Front View



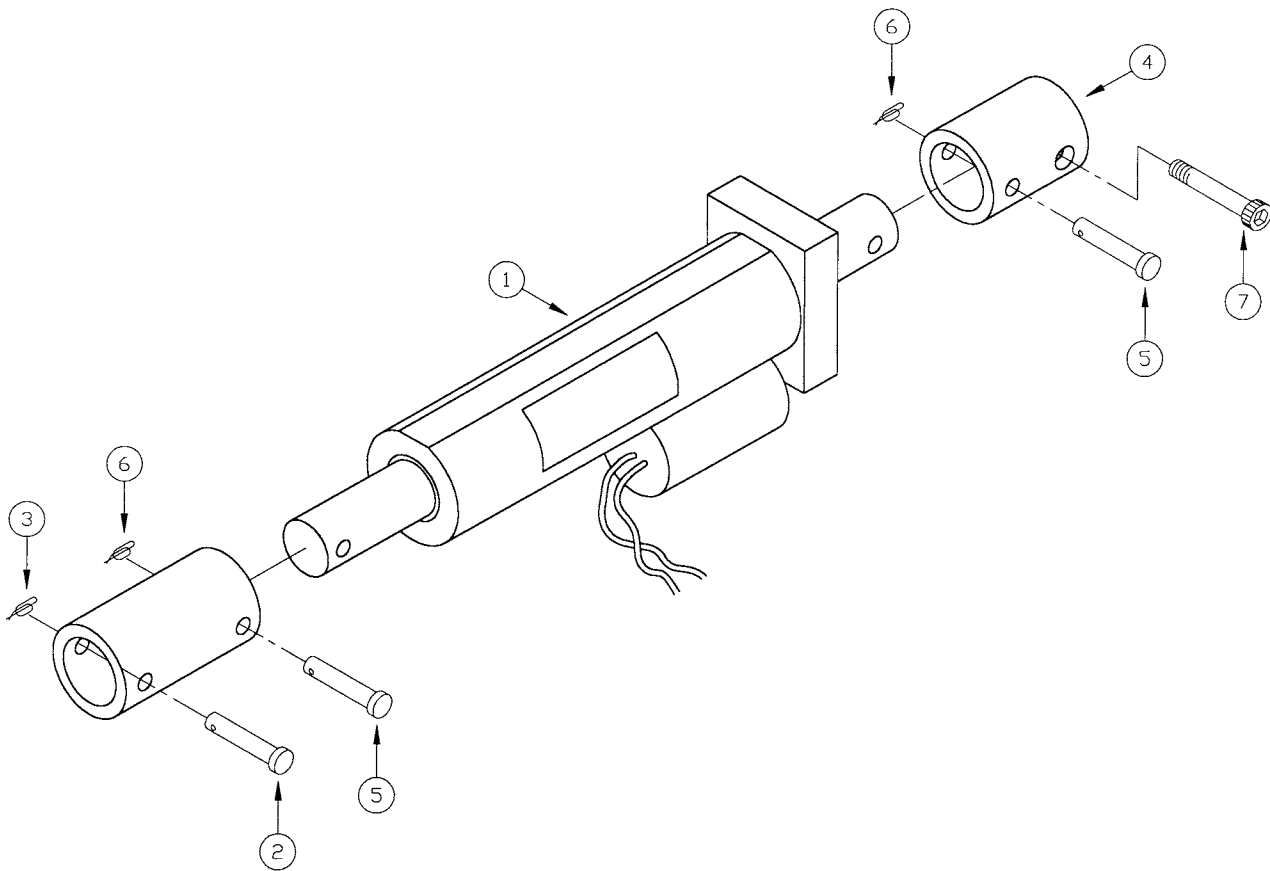
Top View

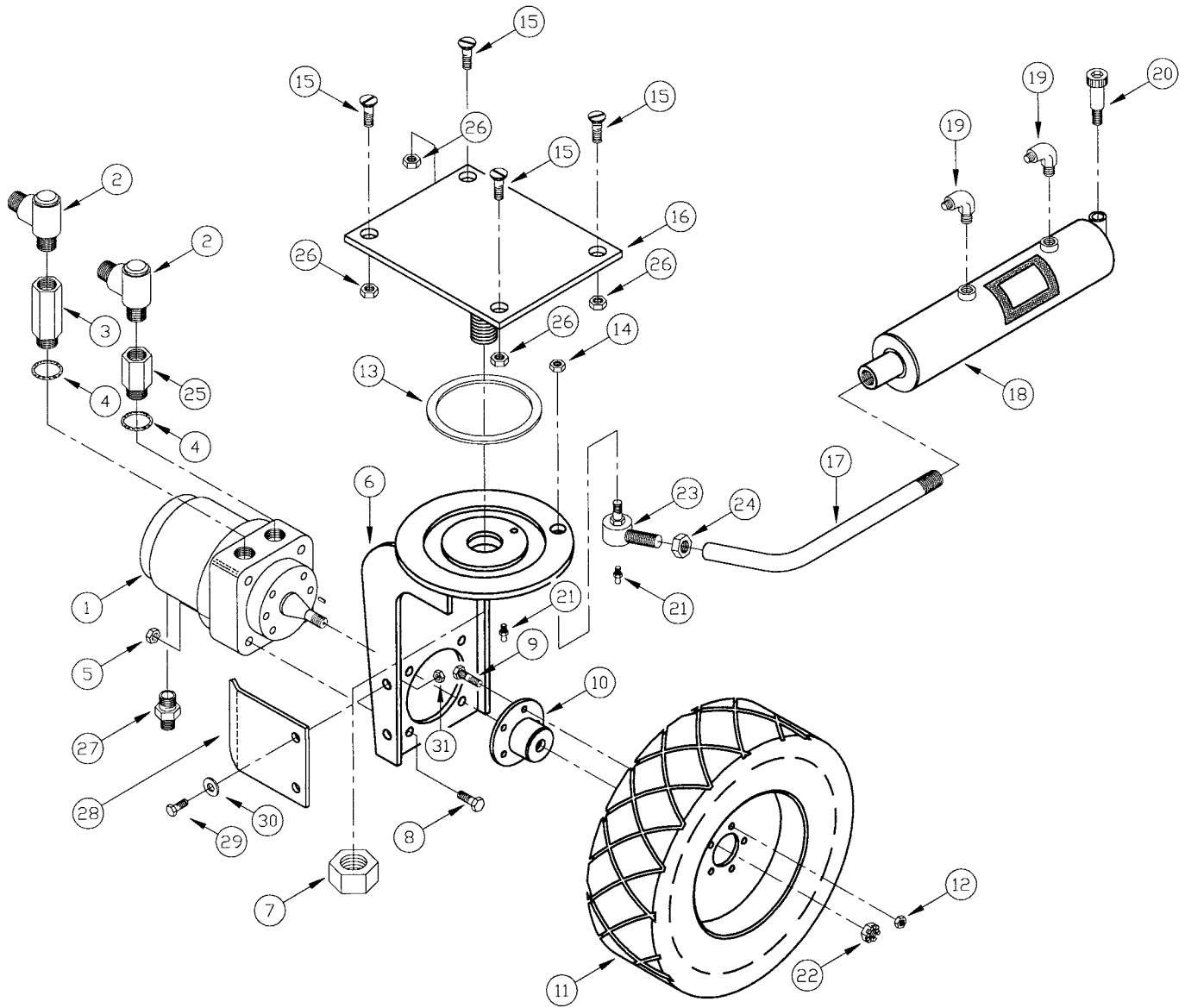
Rear View



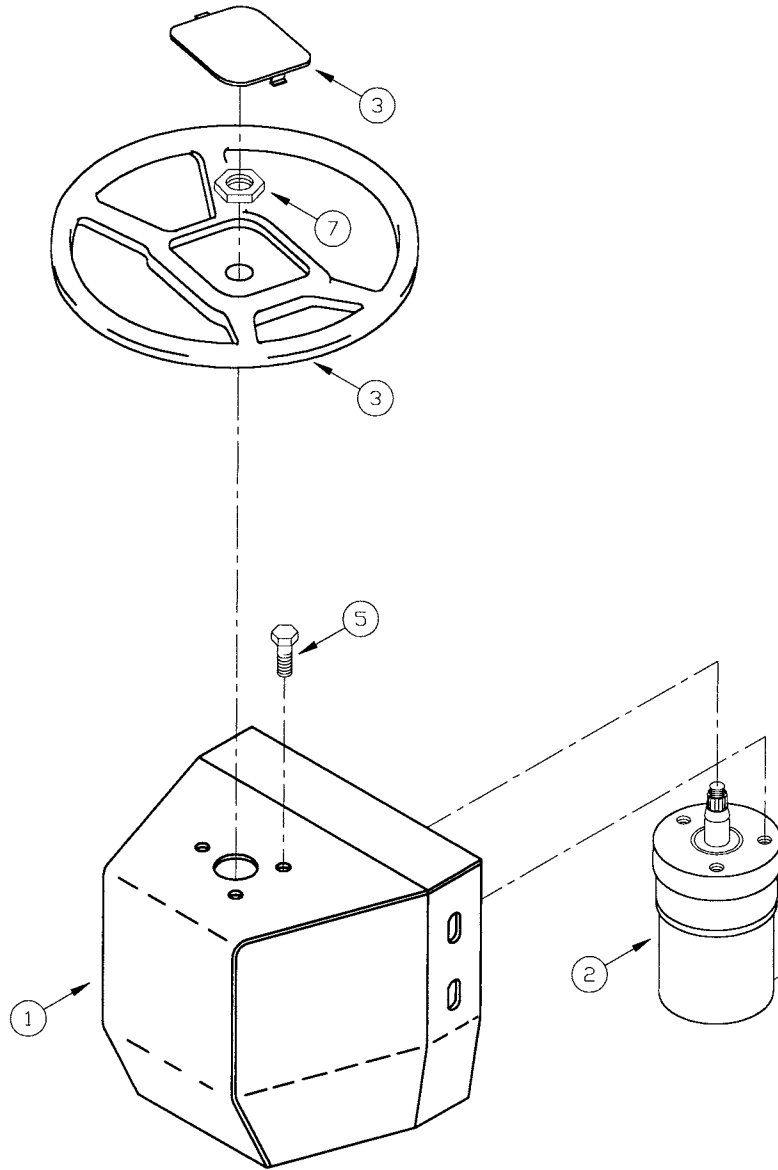
091PAX003

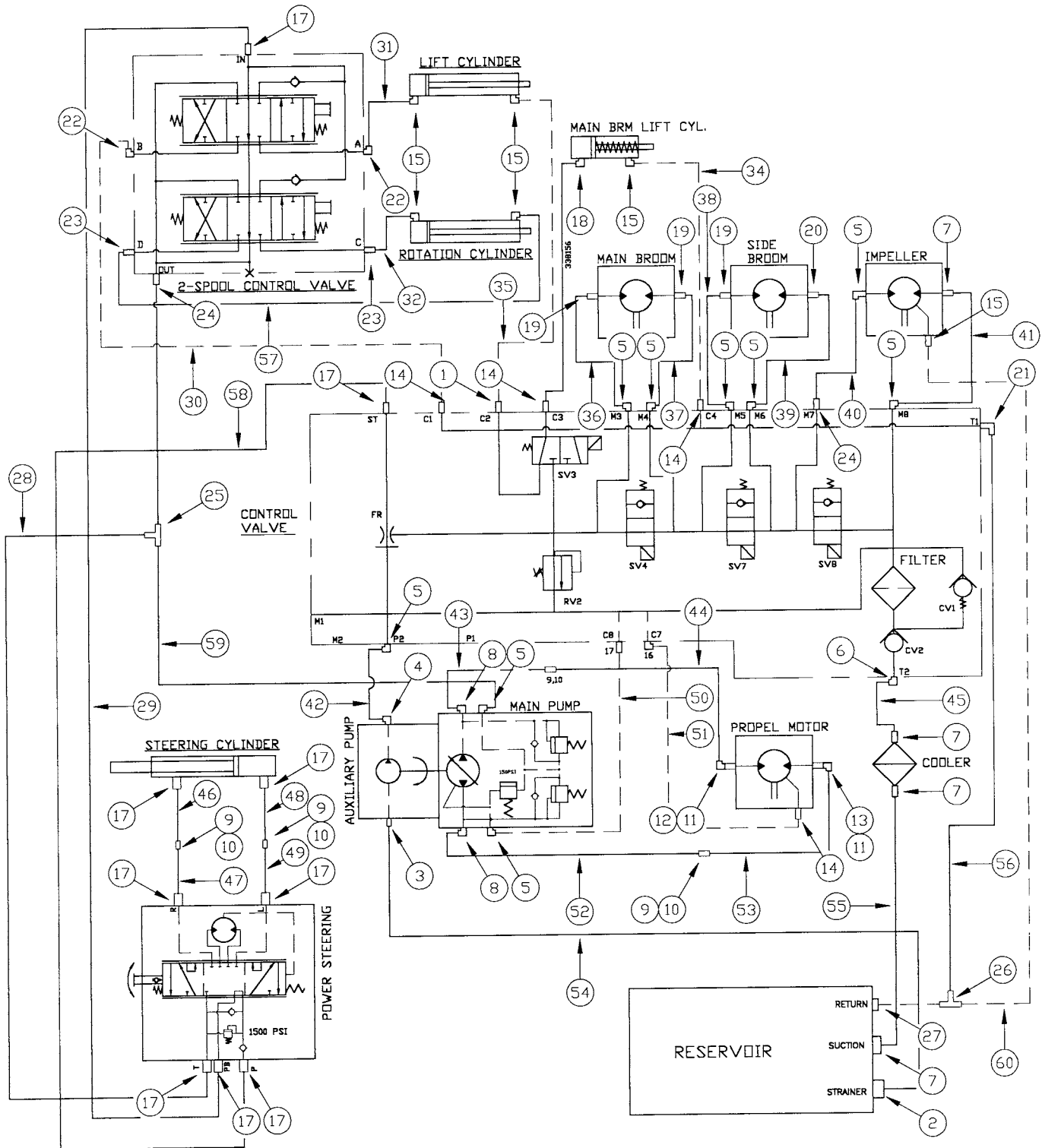
REF #	PART #	DESCRIPTION	QTY
1	3301262	PLATE—GIMBAL SCHD	1
2	3316897	MOTOR—HYD CURB BRM	1
3	3302058	RETAINER—BRUSH	1
4	3302082	KEY—HEX HYD MOTOR	1
5	3313202	ASSEMBLY—MOUNT CURB BROOM	1
6	3313207	MOUNT—CURB BROOM MOTOR	1
7	3400233	WASHER—FLAT 5/16	2
8	3313212	WELD—GIMBLE PLATE 62/72 GAS/DS	1
9	3400420	NUT-HEX 5/16-24 ES	1
10	3400030	SCREW—HEX 3/8-16 x 1.0	3
11	3400032	SCREW—HEX 3/8-16 x .75	4
12	3400069	NUT—HEX 5/16-24 ZP	1
13	3400042	SCREW—HEX 1/4-20 x .75	2
14	3400053	SCREW—SSCP 1/2-20 x 1.75	1
15	3400091	WASHER—FENDER 1/2	1
16	3400078	NUT—ES 1/2-13	2
17	3400079	NUT—HEX ES 3/8-16	3
18	3400081	NUT—HEX ES 1/4-20	2
19	3400101	WASHER—LOCK 3/8	4
20	3400151	FTG—STR 7/8-14 TO #8	1
21	3400178	BRG—THRUST .531ID x 1.00OD	2
22	3400030	SCREW—HEX 3/8-16 x 1.0	4
23	3400079	NUT—HEX ES 3/8-16	4
24	3400018	SCR—HEX 1/2-13 x 4.00 ZP	1
25	-	Curb Broom: Choose from the following (24")	-
-	3300306	BROOM—SIDE 24" POLY (Poly)	1
-	3300308	BROOM—SIDE 24" NYLON (White)	1
26	3307241	SPACER—HAND BRAKE PLTD SW/A	1
27	3313203	ASSEMBLY—ARM SIDE BROOM	1
28	3318885	CABLE—CURB BRM LIFT 62/72	1
29	3400278	WASHER—FENDER 3/8	2
30	3400383	WASHER—CONICAL SPRING 1/4	1
31	3400049	SCR—SOC, 1/4-20X0.75 ZP NYLOCK	1
32	3402009	FTG—CHECK VALVE	1
END OF THIS SECTION			



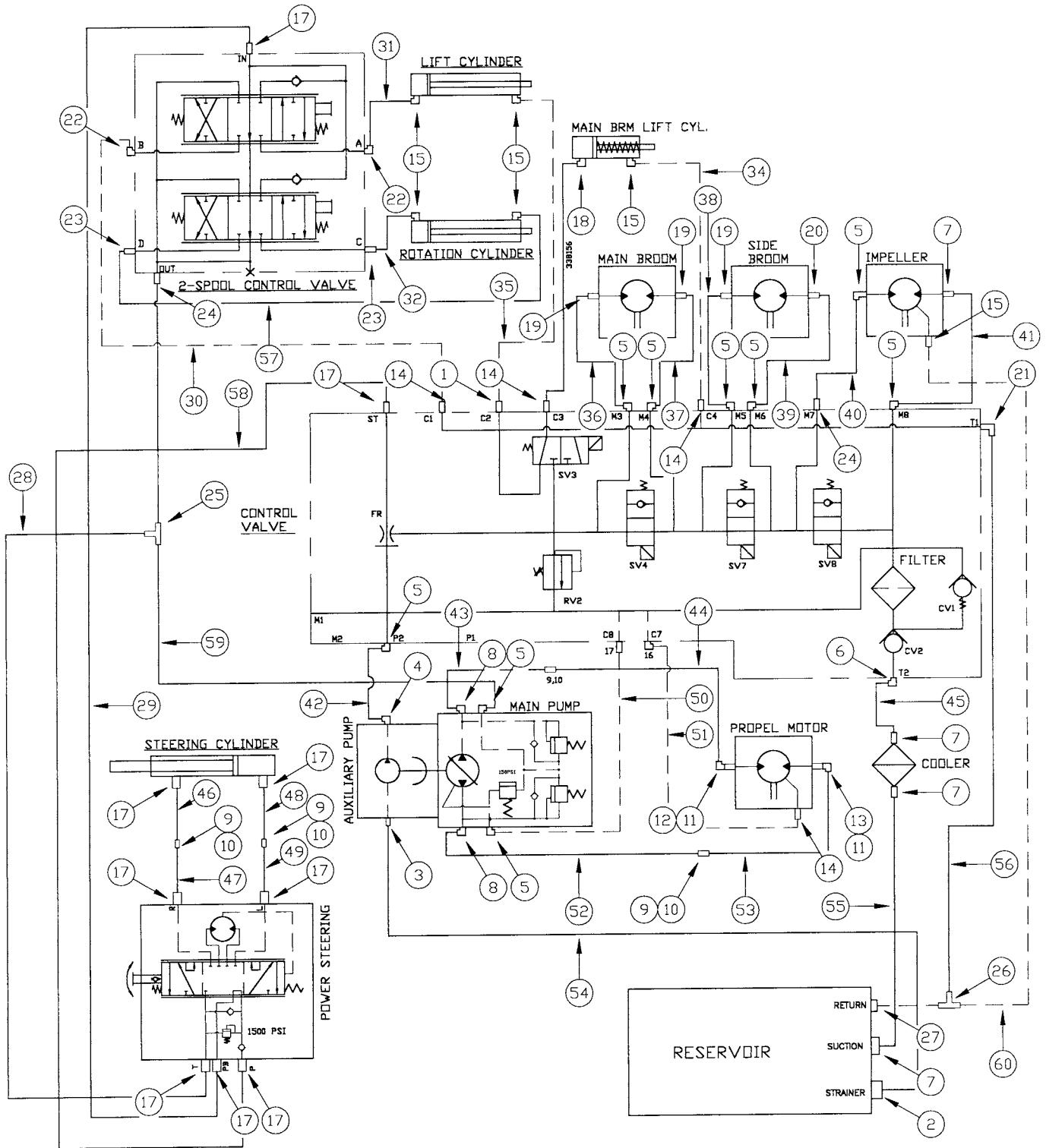


REF #	PART #	DESCRIPTION	QTY
1	3301534	MOTOR—HYD 2000 SERIES PNTD	1
2	3400169	FTG—SWIVEL 3/4-16 TO #8	2
3	3302349	FTG—SPECIAL WHEEL MOTOR	1
4	3302360	O-RING—.755ID x .098 W	2
5	3400078	NUT—HEX 1/2-13 ES ZP	4
6	3338080	WELD—STEERING FORK	1
7	3400083	NUT—HEX JAM 1 1/4-12 ES ZP	1
8	3400019	SCR—HEX 1/2-13 x 2.50 ZP	4
9	3300415	STUD—WHEEL HUB	5
10	3301018	HUB—REAR WHEEL PNTD MS	1
11	3318690	WHEEL—5 x 10.5 x 16 MOLDED	1
12	3300411	NUT—WHEEL LUG	5
13	3300472	BRG—THRUST 5.812ID x 7.00OD	1
14	3400188	NUT—HEX JAM 1/2-20 ES	1
15	3400842	SCR—HFHCS .50-13 UNC x 1.75	4
16	3300153	WELD—FORK PIVOT PLT PNTD	1
17	3318420	LINK—STEERING SW/72	1
18	3318452	CYLINDER—STEERING	1
19	3400634	FTG—ADAPTOR 90 DEG ELBOW 1/2-20	2
20	3400814	BOLT—SHOULDER .75 DIA x .75 LG	1
21	3400012	FTG—GREASE	2
22	3400223	NUT—HEX SLOTTED 11/16-18 ZP	1
23	3300466	BALL JOINT—STEERING	1
24	3400313	NUT—HEX 11/16-18 ZP	1
25	3400166	FITTING ADAPTER 7/8-14 EXT TO 3/4	1
26	3400078	NUT HEX 1/2-13 ES ZP	4
27	3400212	FTG—ADAPTER 7/16-20 TO # 4	1
28	3304199	PLATE—CASE DRAIN GRD	1
29	3400029	SCR—HEX,3/8-16X1.25 ZP	2
30	3400384	WASHER—CONICAL SPRING 5/16	2
31	3400392	NUT—FLANGE LOCK 3/8-16	2
		END OF THIS SECTION	

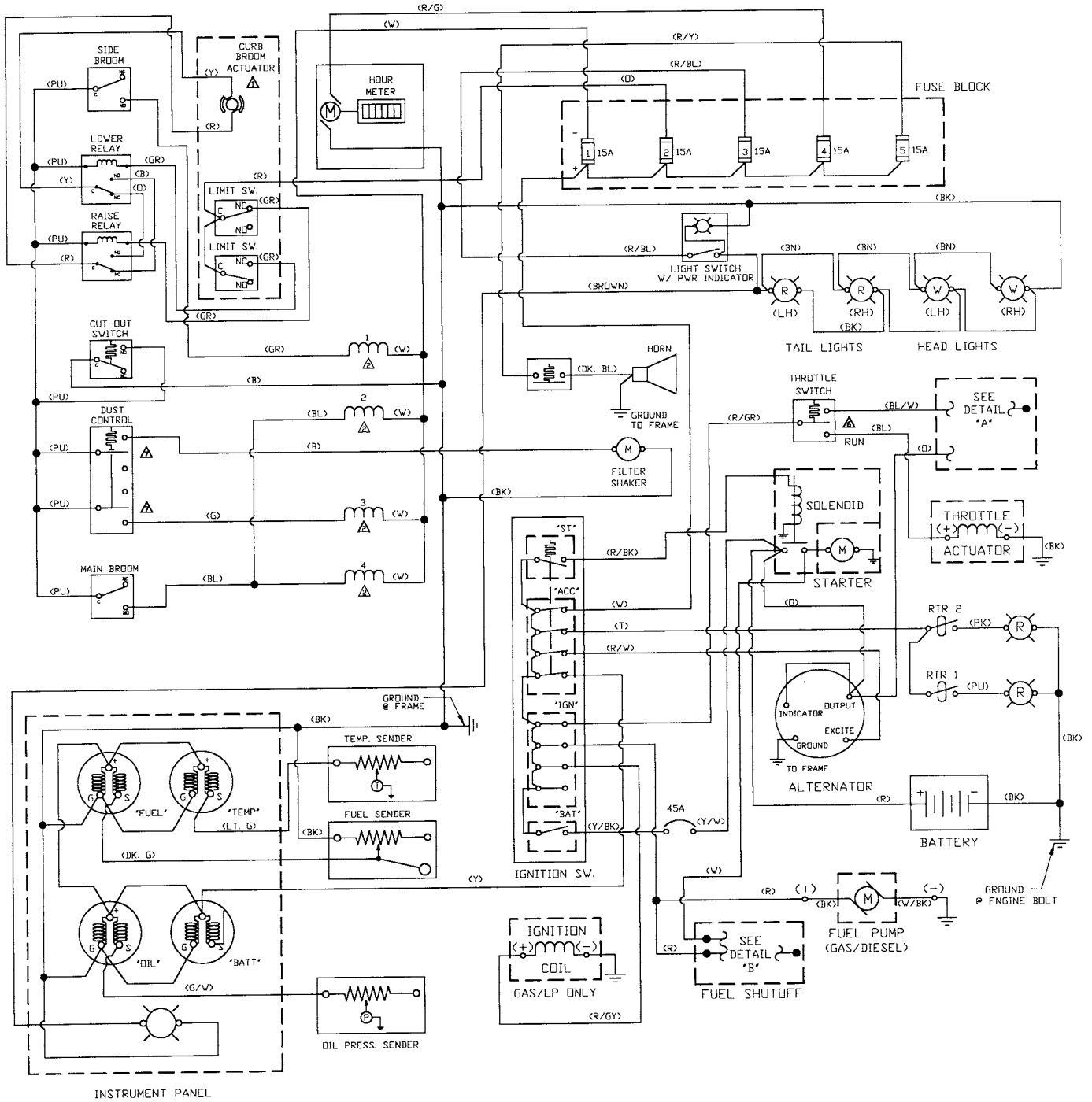




REF #	PART #	DESCRIPTION	QTY
1	3302407	FTG—90 EL 7/16-20 TO 1/4 TUBE	1
2	3400847	FTG—STR CONN (16FTX-S)	1
3	3322502	USE 3400792	1
4	3400155	FTG—90 7/8-14 TO #8	1
5	3400154	FTG—90 3/4-16 TO #8	10
6	3338184	FTG—.75 x .75 STR. THD. O-RING 90° EL.	1
7	3338182	FTG—.75 x 1.00 STR. THE. O-RING CON.	3
8	3338180	FTG—.50 x .75 STR. THD. O-RING 90° EL. TO MALE 37° JIC	2
9	3400859	FTG—BULKHEAD (8WTX-S)	4
10	3338186	NUT—BULKHEAD .50	4
11	3400166	FTG—ADAPTER 7/8-14 EXT TO 3/4	2
12	3302349	FTG—SPECIAL WHEEL MOTOR MS	1
13	3338181	5/8 x 1/2 MALE STR. THD/FE STR. THD. O-RING BOSS	1
14	3400212	FTG—ADAPTER 7/16-20 TO # 4	3
15	3302407	FTG—90 EL 7/16-20 TO 1/4 TUBE	8
16	3338183	FTG. 3/8 x 1/4 STR. THD. O-RING CON. TO MALE 37° JIC	1
17	3400635	FTG—ADAPTOR CONNECTOR 9/16-18	8
18	3400152	FTG—90 1/2-20 TO #5	1
19	3400151	FTG—STR 7/8-14 TO #8	3
20	3402009	FTG—CHECK VALVE	1
21	3400153	FTG—90 9/16-18 TO #6	1
22	3338187	FTG. 1/4 x 3/8 STR. THD. O-RING 90° EL. TO MALE 37° JIC	3
23	3400264	FTG—MALE CONNECTOR 9/16 TO #4	1
24	3304899	FTG—ADAP 3/4-16 TO 1/2 OD TUBE	2
25	3400250	FTG—TEE SWIVEL 1/2 TUBE	1
26	3400851	FTG—TEE (6R6X-S)	1
27	3400648	FTG—ADPT ST THD 3/4-16 TO #6	1
28	3338150	HOSE-.38AR 15.13 ST#6 90S#6	1
29	3338155	HOSE-.38AR 15.63 ST#6 90S#6	1
30	3307836	HOSE-1/4 HT 15.50 ST#4 90S#4	1
31	3318652	HOSE-1/4AR 32.5" ST#4 ST#4	1
32	3318731	HOSE-1/4 AR 90.00 ST#4 90S#41	1
33	3338156	HOSE-.25AR 29.75 ST#4 ST#41	1
34	3338157	HOSE-.25AR 28.88 ST#4 90S#4	1
35	3318652	HOSE-1/4AR 32.5" ST#4 ST#4	1


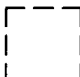


REF #	PART #	DESCRIPTION	QTY
36	3338158	HOSE-.25AR 32.88 ST#8 90S#81	1
37	3338159	HOSE-.50AR 28.75 ST#8 ST#8	1
38	3338160	HOSE-.50AR 70.25 ST#8 ST#8	1
39	3338161	HOSE-.50AR 66.88 ST#8 90S#8	1
40	3338153	HOSE-.50AR 14.88 ST#8 90S#8	1
41	3338164	HOSE-.50AR 11.75 ST#8 ST#8	1
42	3318712	HOSE-1/2HT 23.5" ST#8 ST#8	1
43	3307882	HOSE-1/2 AR 37.50 ST#8 90S#8	1
44	3338145	HOSE-.50AR 29.75 ST#8 ST#8	1
45	3338143	HOSE-1.0AR 61.75 ST#12 90S#12	1
46	3338152	HOSE-.38AR 26.63 ST#6 90S#6	1
47	3338151	HOSE-.38AR 24.63 ST#6 90S#6	1
48	3338154	HOSE-.38AR 18.63 ST#6 90S#6	1
49	3338152	HOSE-.38AR 26.63 ST#6 90S#6	1
50	3338148	HOSE-.38AR 10.63 ST#6 90S#6	1
51	3338147	HOSE-.25AR 80.38 ST#4 90S#4	1
52	3307882	HOSE-1/2 AR 37.50 ST#8 90S#8	1
53	3338145	HOSE-.50AR 29.75 ST#8 ST#8	1
54	3338142	HOSE-1.0AR 18.5 ST#16 ST#16	1
55	3338144	HOSE-.75AR 68.0 ST#12 ST#12	1
56	3338162	HOSE-.25AR 70.25 ST#6 ST#6	1
57	3338163	HOSE-.25AR 75.88 ST#4 90S#4	1
58	3338149	HOSE-.38AR 23.38 ST#6 ST#6	1
59	3307670	HOSE-1/4 HT 73.75 ST#6 90L#6	1
60	3338165	HOSE-.25AR 11.00 ST#4 ST#6	1
		<i>END OF THIS SECTION</i>	



600PAX001

NOTES:

1. CURB BROOM ACTUATOR CONTAINS INTERNAL LIMIT SWITCHES WHICH PROVIDE AUTOMATIC SHUT OFF OF ACTUATOR AT THE BEGINNING AND THE END OF STROKE.
2. DESCRIPTION FOR COILS 1 THRU 4
 COIL 1 = SIDE BROOM ROTATE
 COIL 2 = MAIN BROOM LIFT
 COIL 3 = IMPELLER ROTATE
 COIL 4 = MAIN BROOM ROTATE & LOWER
3. NOMENCLATURE FOR WIRE COLORS:
 Y = YELLOW
 R = RED
 W = WHITE
 BL = BLUE
 BK = BLACK
 BN = BROWN
 G = GREEN
 GR = GREY
 O = ORANGE
 PU = PURPLE
 T = TAN
 Y/W = YELLOW WITH WHITE STRIPE (TYPICAL NOMENCLATURE FOR STRIPED WIRE).
4.  ACTUAL COMPONENT
 TEXT INSIDE THIS BOX IS TYPICALLY STAMPED ON COMPONENT.
5.  GROUPING OF RELATED COMPONENTS.
6. CENTER POSITION OF THROTTLE SWITCH IS 'IDLE'.
7. CENTER POSITION OF DUST CONTROL SWITCH IS 'OFF'.
8. ALL DEVICES SHOWN IN OFF POSITION.
9. THIS SCHEMATIC IS SHOWN FOR WIRE HARNESSSES 338077, 338078 & 338079.

